

TC-H6600

SERVICE MANUAL

AEP Model
UK Model




This unit is the cassette deck for the MHC-6600 component system.

Model Name Using Similar Mechanism	TC-WR620/WR720	
Tape Transport Mechanism Type	DECK A	TCM-190RA13A
	DECK B	TCM-190RB12A

SPECIFICATIONS

Recoding system 4-track 2-channel stereo
Frequency response (DOLBY NR OFF)
40 - 13,000 Hz (± 3 dB)
using TYPE I cassette
(Sony HF-S)
40 - 14,000 Hz (± 3 dB),
using TYPE II cassette
40 - 15,000 Hz (± 3 dB)
using TYPE IV cassette
Wow and flutter 0.1% WRMS \pm 0.3% (DIN)
Inputs
PHONO (phono jacks):
sensitivity 5 mV
impedance 47 kohms
VIDEO (phono jacks)
sensitivity 300 mV
impedance 47 kohms

Design and specification subject to change without notice.

Dolby noise reduction manufactured under license from Dolby Laboratories Licensing Corporation.
"DOLBY" and the double-D symbol  are trademarks of Dolby Laboratories Licensing Corporation.

Notes on chip component replacement

- Never reuse a disconnected chip component.
- Notice that the minus side of a tantalum capacitor may be damaged by heat.

Flexible Circuit Board Repairing

- Keep the temperature of the soldering iron around 270°C during repairing.
- Do not touch the soldering iron on the same conductor of the circuit board (within 3 times).
- Be careful not to apply force on the conductor when soldering or unsoldering.



使用時は添付資料も参照のこと
Refer to the additional documents.

STEREO CASSETTE DECK
SONY®

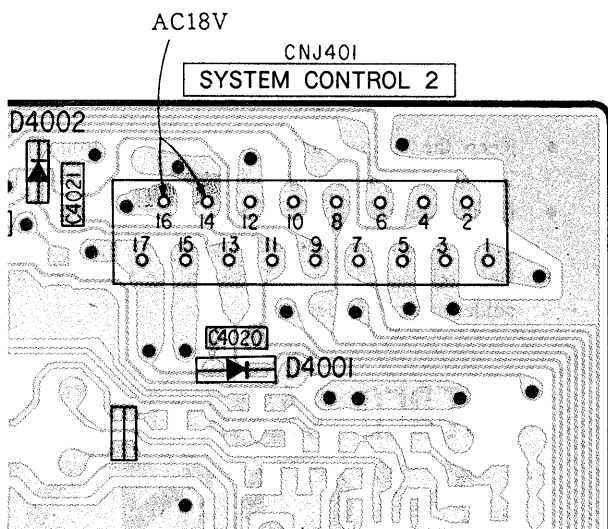
TABLE OF CONTENTS

<u>Section</u>	<u>Title</u>	<u>Page</u>
1.	GENERAL	3
2.	DISASSEMBLY	4
3.	MECHANICAL ADJUSTMENTS	6
4.	ELECTRICAL ADJUSTMENTS	6
5.	DIAGRAMS	
5-1.	IC Pin Description	10
5-2.	Block Diagram	14
5-3.	Printed Wiring Boards —Main Section—	17
5-4.	Schematic Diagram —Main Section—	21
5-5.	Schematic Diagram	
	—Pin Jack Section—	26
5-6.	Printed Wiring Boards	
	—Pin Jack Section—	31
5-7.	Semiconductor Lead Layouts	34
5-8.	Circuit Boards Location	34
5-9.	IC Block Diagram	35
6.	EXPLODED VIEWS	
6-1.	Front Panel Section-1	37
6-2.	Front Panel Section-2	38
6-3.	Mechanism section-1	39
6-4.	Mechanism section-2	40
7.	ELECTRICAL PARTS LIST	41

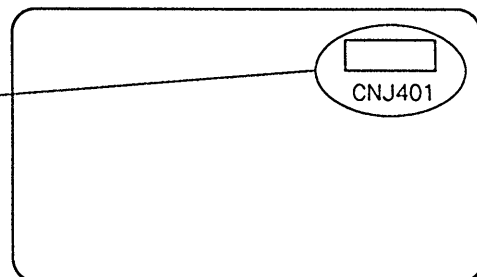
SAFETY-RELATED COMPONENT WARNING!!
COMPONENTS IDENTIFIED BY MARK Δ OR DOTTED LINE WITH MARK Δ ON THE SCHEMATIC DIAGRAMS AND IN THE PARTS LIST ARE CRITICAL TO SAFE OPERATION. REPLACE THESE COMPONENTS WITH SONY PARTS WHOSE PART NUMBERS APPEAR AS SHOWN IN THIS MANUAL OR IN SUPPLEMENTS PUBLISHED BY SONY.

Caution when repairing

Normally the power of this set is supplied from the TA-H6600 amplifier connected. When only this set is repaired, connect the power of 18V AC as shown in the figure below.



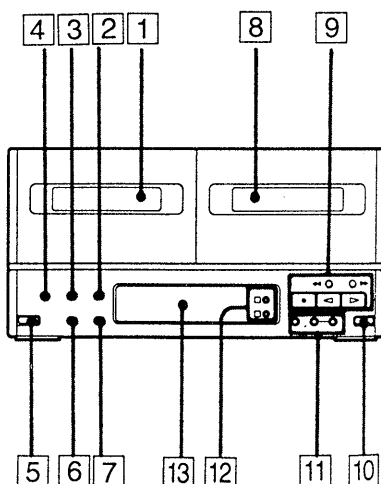
【PIN JACK BOARD】 (conductor side)



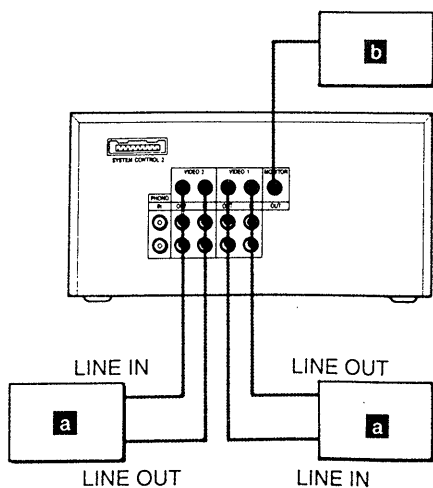
SECTION 1 GENERAL

This section is extracted from instruction manual.

LOCATION AND FUNCTION OF CONTROLS



- 1 Cassette holder (Deck A)
- 2 COUNTER RESET button
Resets the counter of the cassette deck to "0".
- 3 CD SYNCHRO (CD synchronized recording) button and indicator 10 11
- 4 DUBBING MODE button and indicator 98
- 5 EJECT button (Deck A)
- 6 DOLBY NR (Dolby Noise Reduction) button 64
- 7 DIRECTION MODE button 62 70
- 8 Cassette holder (Deck B)
- 9 Tape operation buttons (for Deck A and B)
 - : Fast winding
 - : Stop
 - : Forward play
 - : Reverse play
- 10 EJECT button (Deck B)
- 11 Tape operation buttons (for Deck B)
 - : PAUSE
 - : MUTE (Muting)
 - : REC (recording)
- 12 DECK A/B selection buttons 64
- 13 Display window

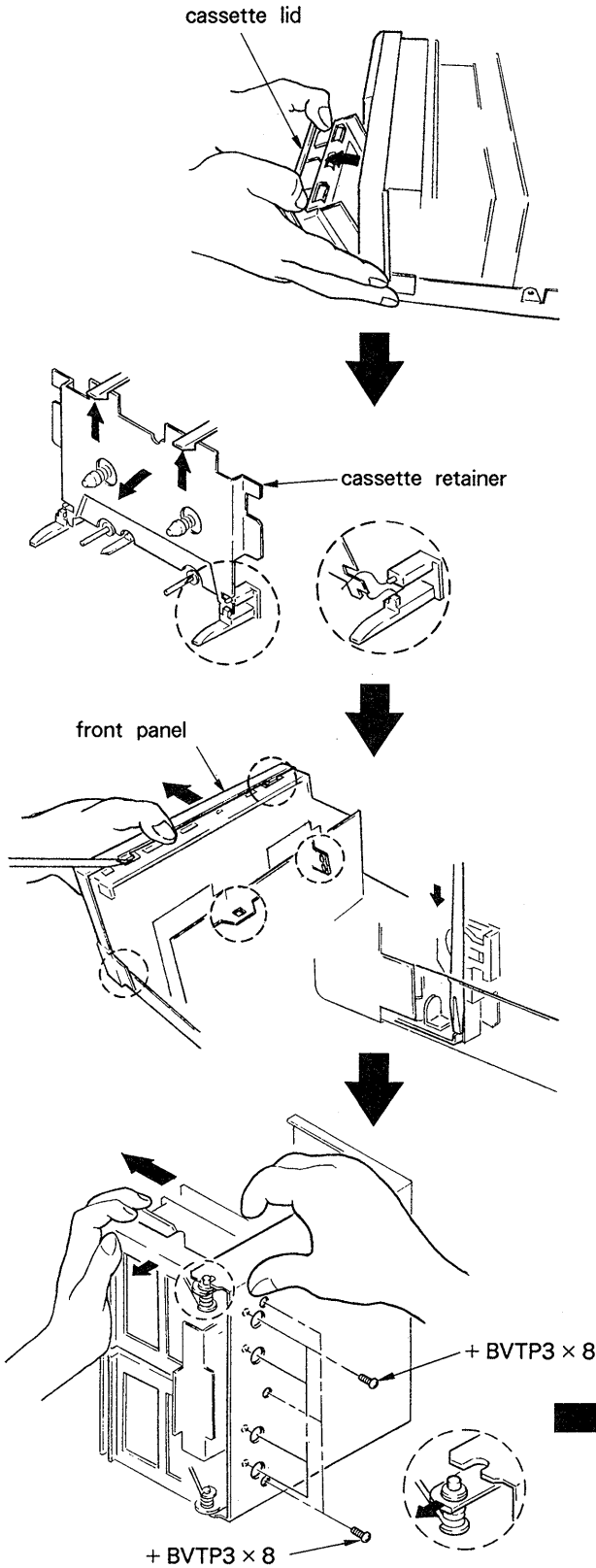


You can connect a VCR **a** to the VIDEO 1 or VIDEO 2 jacks. You can also connect a monitor TV **b** to MONITOR OUT. (TV with MONITOR IN jacks only.) To select VCR, press the VIDEO FUNCTION selector and light up the VIDEO 1 or VIDEO 2 indicator.

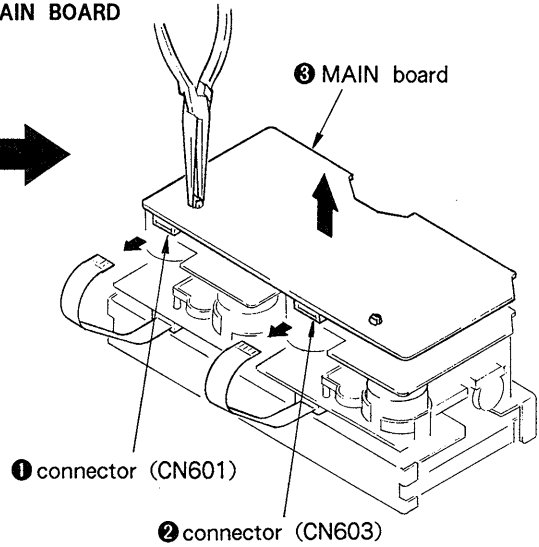
SECTION 2 DISASSEMBLY

NOTE: Follow the disassembly procedure in the numerical order given.

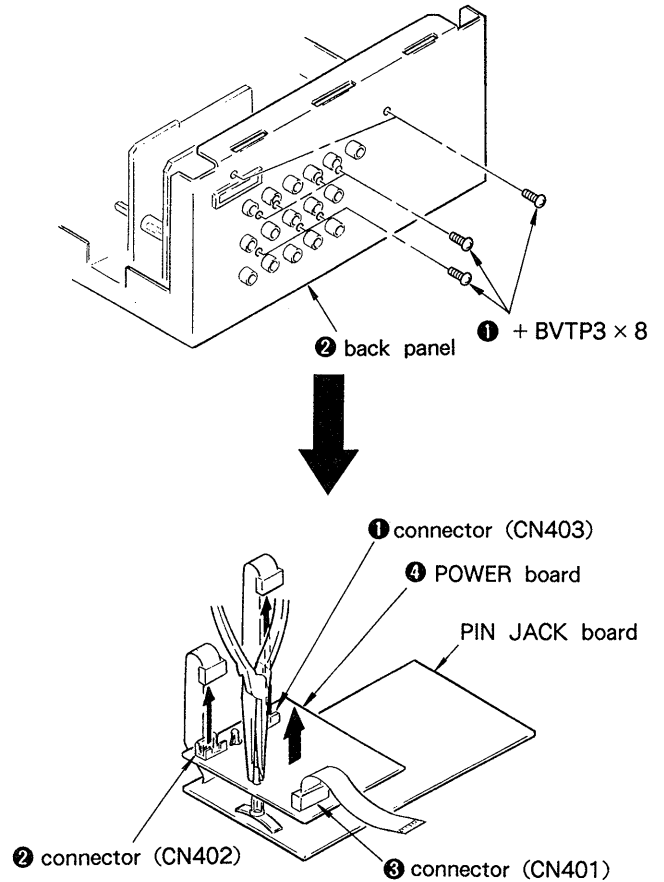
• FRONT PANEL



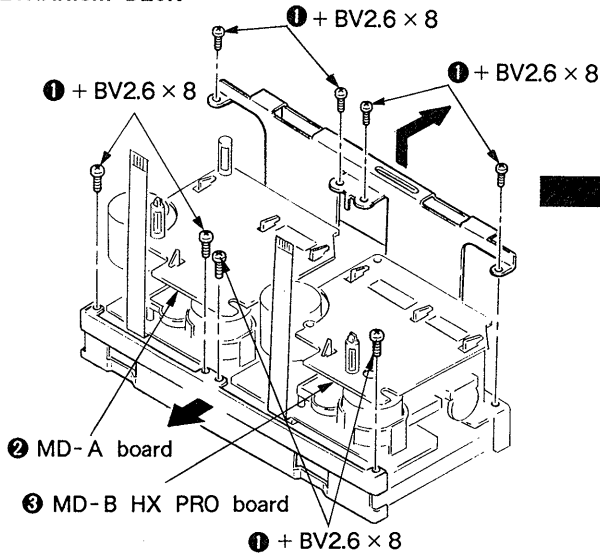
• MAIN BOARD



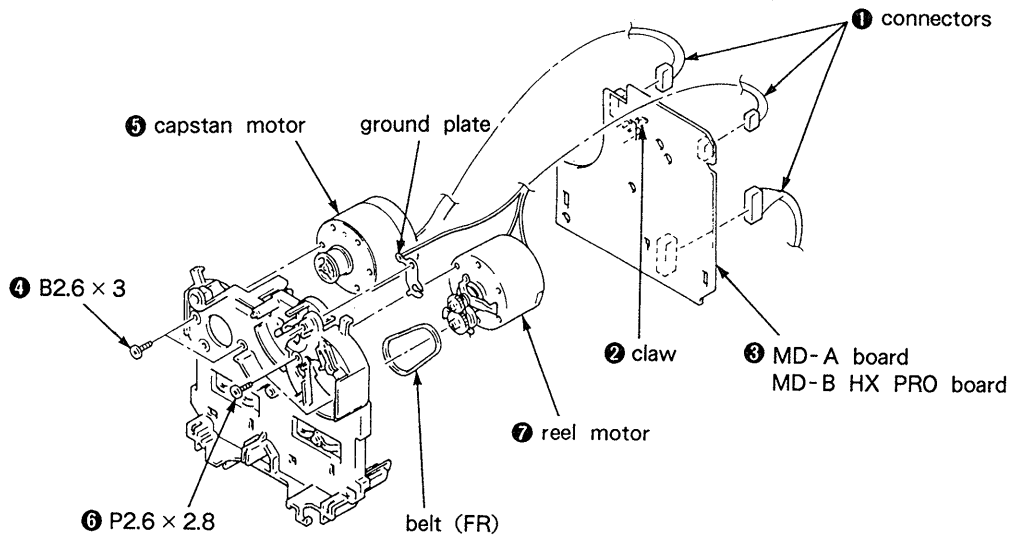
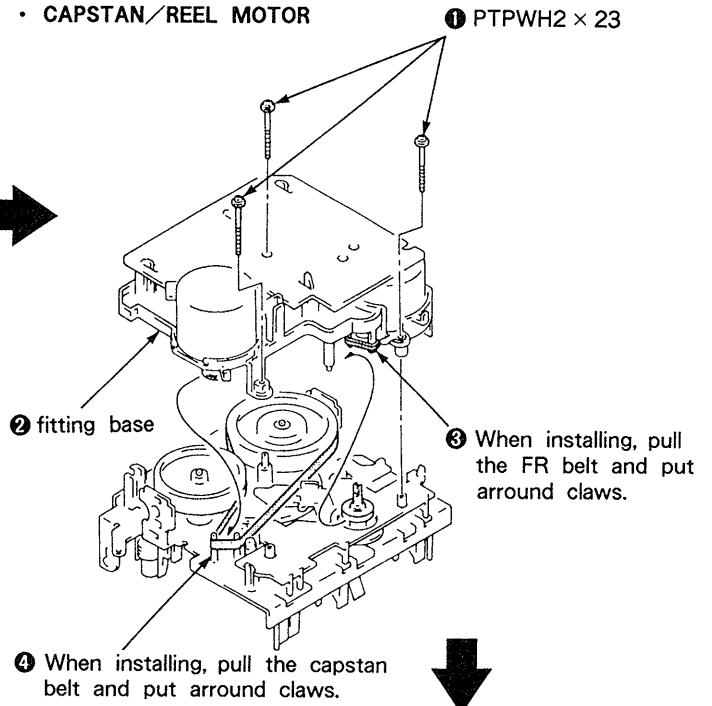
• PIN JACK/POWER BOARD



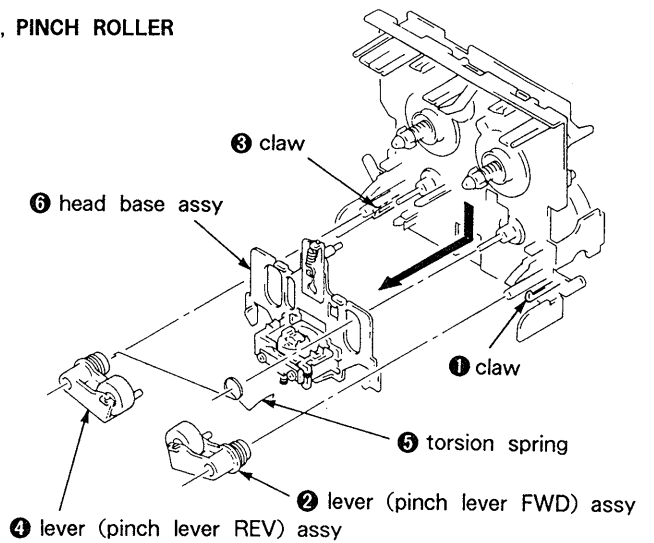
• MECHANISM DECK



• CAPSTAN/REEL MOTOR



• HEAD, PINCH ROLLER



SECTION 3

MECHANICAL ADJUSTMENTS

PRECAUTION

- Clean the following parts with a denatured alcohol-moistened swab :

record/playback head	pinch roller
erase head	rubber belts
capstan	idlers
- Demagnetize the record/playback head with a head demagnetizer.
(Head demagnetizer do not approach for the erase head.)
- Do not use a magnetized screwdriver for the adjustment.
- After the adjustments, apply suitable locking compound to the parts adjusted.
- The adjustments should be performed with the rated power supply voltage unless otherwise noted.

SECTION 4

ELECTRICAL ADJUSTMENTS

PRECAUTION

- The adjustment should be performed in the publication. (Be sure to make playback adjustment at first.)
- The adjustment and measurement should be performed for both L-CH and R-CH.
 - Switch position
 - DOLBY NR switch : OFF
 - DIR MODE switch : \neq

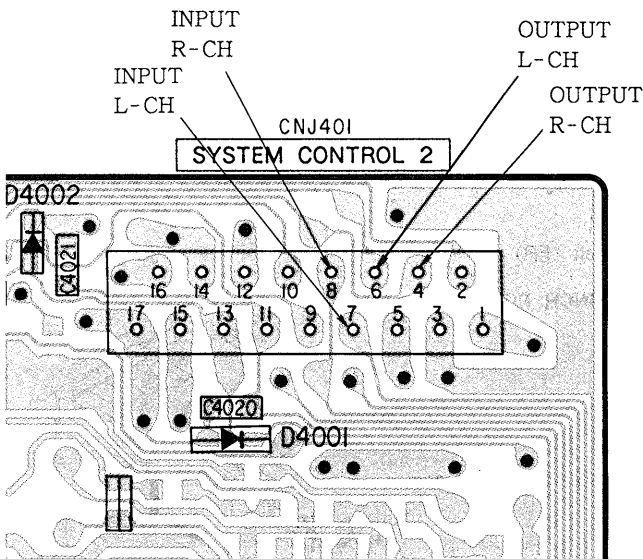
Test Tape

Tape	Contents	Use
P-4-A100	10kHz, -10dB	Azimuth Adjustment
P-4-L300	315Hz, 0dB	Level Adjustment
WS-48B	3kHz, 0dB	Tape Speed Adjustment

Torque Measurement

Torque	Torque meter	Meter reading
Forward	CQ-102C	35 to 60g·cm (0.49 to 0.83 oz·inch)
Forward back tension	CQ-102C	2 to 6g·cm (0.03 to 0.08oz·inch)
Reverse	CQ-102RC	35 to 60g·cm (0.49 to 0.83oz·inch)
Reverse back tension	CQ-102RC	2 to 6g·cm (0.03 to 0.08oz·inch)
Forward, Reverse	CQ-201B	70 to 110g·cm (0.98 to 1.52 oz·inch)

LINE IN/OUT Terminal (CNJ401)



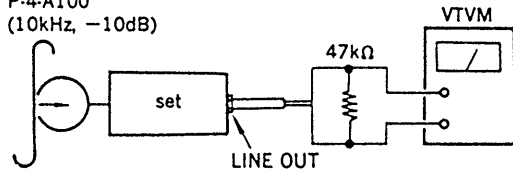
Record/Playback Head Azimuth Adjustment

DECK A **DECK B**

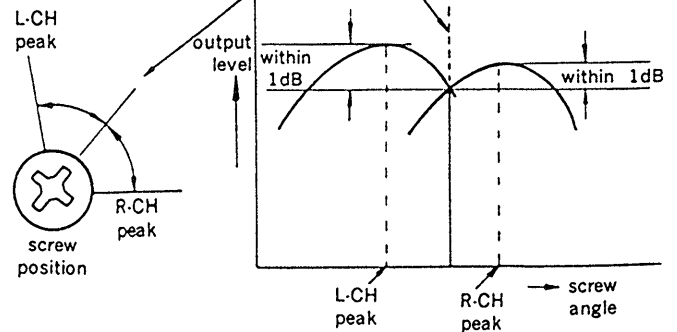
Procedure :

- Forward Playback Mode

test tape
P-4-A100
(10kHz, -10dB)

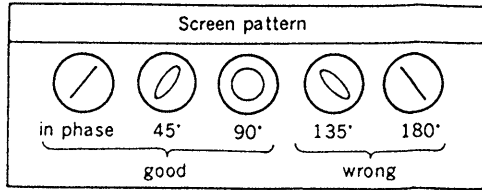
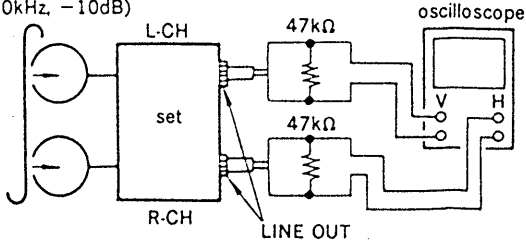


- Turn the adjustment screw for the maximum output levels. If these levels do not match, turn the adjustment screw until both of output levels match together within 1dB.



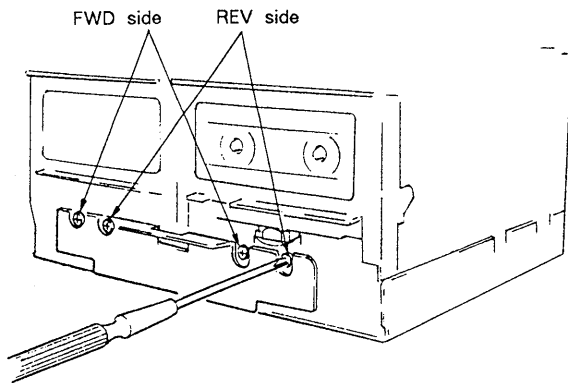
3. Playback Mode

test tape
P-4-A100
(10kHz, -10dB)



4. Change the reverse playback mode and repeat the steps 1 to 3.
5. After the adjustment, lock the adjustment screw with suitable locking compound.

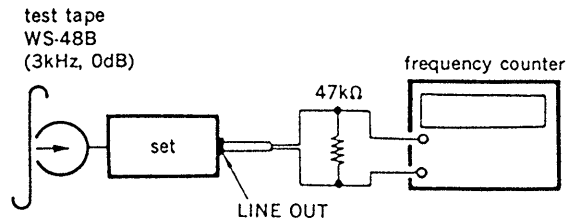
Adjustment Location : - record/playback head -



Tape Speed Adjustment [DECK A] [DECK B]

Procedure :

-Forward Playback Mode-



Perform high speed adjustment before normal speed adjustment.

(High speed adjustment)

1. Short TP601 (main board) when the power is OFF.
2. Turn on the power and put the deck A into the FWD mode.
3. Connect a resistor of 150 Ω to both the terminals of TP6001 (main board). (The set enters into high speed playback mode.)
4. Adjust RV72A (H) of the deck A so that a reading of the frequency counter meets the adjustment value.
5. Put the deck iA nto the STOP mode and remove the resistor of 150 Ω
6. Adjust the deck B performing items 2 through 5 as deck A.
7. After the adjustment is completed, remove the short of TP601.

(Normal speed adjustment)

1. Put the set into the FWD playback mode.
2. At this time, adjust RV71A (L) of the deck A and RV71B (L) of the deck B so that a reading of the frequency counter meets the adjustment value.

Adjustment Limits :

Speed	Frequency Counter Reading
High	6,000 ± 20Hz
Normal	3,000 ± 10Hz

Frequency difference between the beginning and the end of the tape should be within 3%.

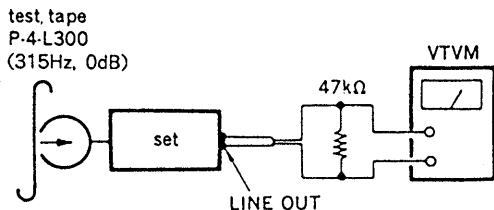
Frequency difference between deck A and deck B the beginning of the tape should be within 1.5%.

Adjustment Location : MD-A board
MD-B HX PRO board

Playback Level Adjustment DECK A DECK B

Procedure :

—Forward Playback Mode—



Adjust deck A : RV11A (L-CH), RV21A R-CH) and deck B : RV11B (L-CH), RV21B (R-CH) so that the VTVM reading becomes the adjustment limits below.

Adjustment Limits:

LINE OUT level : $-10 \pm 0.5\text{dB}$ (0.23 to 0.26V)

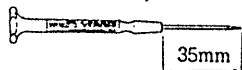
Level Difference between Channels : within 0.5dB

Confirm the LINE OUT level does not change in playback mode while changing the mode from playback to stop several times.

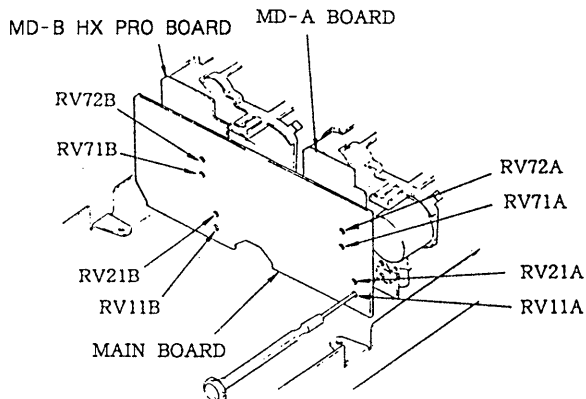
Adjustment Location : MD-A board
MD-B HX PRO board

Tape Speed/playback Level Adjustment

Screwdriver to adjust the MD block



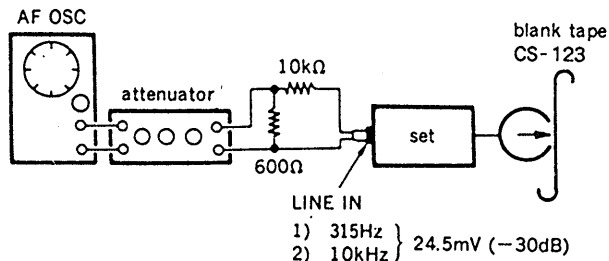
The MD block adjustment can be performed by inserting a screwdriver of which axis length (not including the shaft) is 35 mm or more through the rear side of the main board.



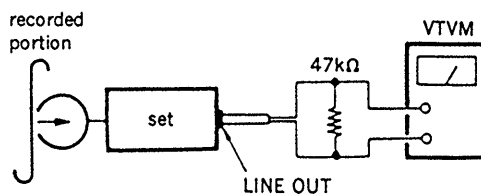
Record Bias Adjustment DECK B

Procedure :

1. Record Mode



2. Playback Mode



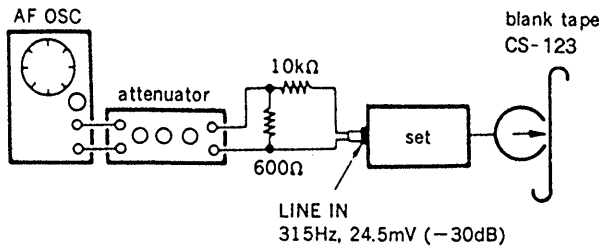
Playback the signal recorded in step 1. Confirm that the 10kHz playback output is $0 \pm 0.5\text{dB}$ relative to the 315Hz output. If necessary, adjust RV12 (L-CH), RV22 (R-CH) and repeat the steps given above.

Adjustment Location : MD-B HX PRO board

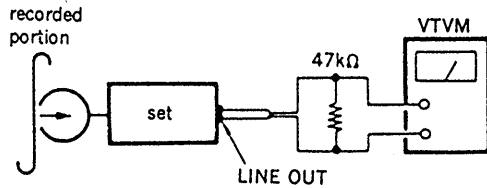
Record Level Adjustment DECK B

Procedure :

1. Record Mode



2. Playback Mode



Confirm playback the tape recorded become adjustment level as follows.

If necessary, adjust RV101 (L-CH), RV201 (R-CH) and repeat steps 1 and 2.

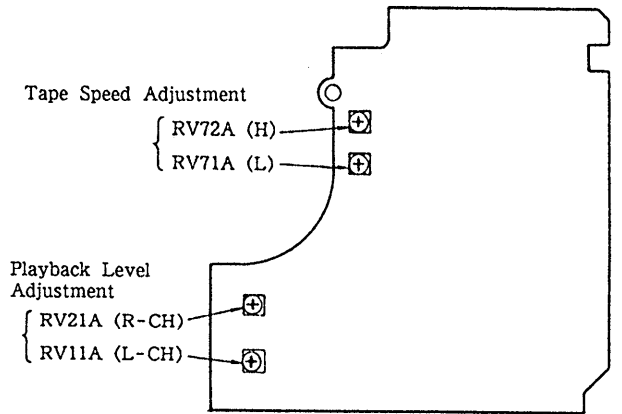
Adjustment Limits :

LINE OUT level : $-30 \pm 0.5\text{dB}$ (23 to 26mV)

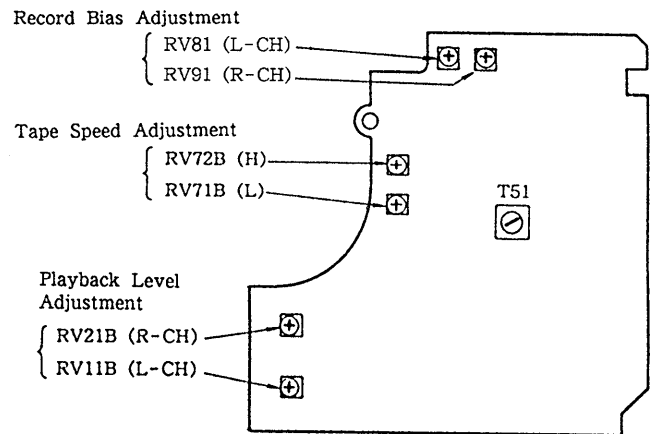
Adjustment Location : main board

ADJUSTMENT LOCATION :

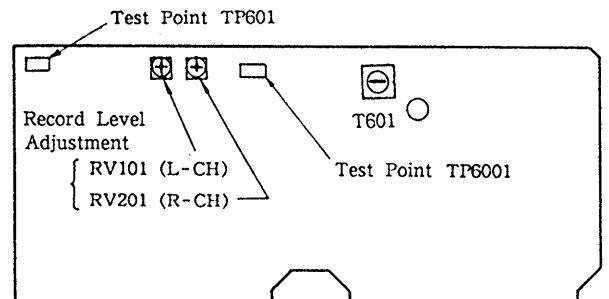
【MD-A BOARD】 component side



【MD-B HX PRO BOARD】 component side



【MAIN BOARD】 component side



SECTION 5

DIAGRAMS

5-1. IC PIN DESCRIPTION

IC351 display microprocessor HD614023-FA93

Fluorescent lamp indicator is activated by receiving data from IC601 (system controller).

Pin No.	Pin Name	I/O	Description
1~11 12 13 14~15 16	S10-S0 VDISP SYNC	O — I	FL indicator tube(FL351) segment output Not used. (+5.6 V) Power supply for activating the FL indicator tube(-20V) Not used(GND) Interrupt input. Data transmission from IC601(system controller) is checked.
17 18~25 26 27 28	INT Vcc CLK DATA	I I — I I	Not used. (GND) Not used. (GND) Power supply terminal (+5.6V) Data transmission clock input from IC601 (system controller) Serial data input from IC601 (system controller)
29 30~32 33 34 35	SYNC HIGH DUB NORM DUB CD SYNC	I — O O O	Sync signal input which indicates the first byte of data sent from IC601 (system controller) Not used. (GND) LED (D301) light output in the high speed dubbing mode. LED (D301) light output in the normal speed dubbing mode. LED (D302) light output in the CD sync mode.
36~38 39 40~42 43 44	FLCHECK RESET TEST	I I I I	Not used. (GND) All the FL indicator tubes are lit when this port is set to "L". (Normally +5.6V) Not used. (GND) Reset input from IC601 (system controller). "L": Reset. Not used. (+5.6V)
45 46 47 48~50 51	OSC1 OSC2 GND	I O —	Clock input (4.19MHz) Clock output Power supply terminal (GND) Not used. (GND) Not used. (Pull-up)
52~57 58~61 62~64	G0 - G6 S11 - S13	O O	FL indicator tube (FL351) grid output Not used. (+5.6V) FL indicator tube (FL351) segment output

IC406 selector controller M50760-315FP

AV output is switched with the audio bus signal sent from the amplifier (TA-H6600).

Pin No.	Pin Name	I/O	Description
1 2 3 4 5	D3 A0 A1 CNVss	I O O —	Model selection input port. Connected to GND. Audio IN switch (IC403 and IC404) control output port. Not used. Audio IN switch (IC403 and IC404) control output port. Power supply terminal (GND)
6 7 8 9 10	Vss A2 B0 B1	— O O O	Power supply terminal (GND) Audio IN switch (IC403 and IC404) control output port. Audio OUT switch (IC405) control output port. Audio OUT switch (IC405) control output port. Not used.
11 12 13~14 15	V0 V1	O O	Video IN/OUT switch (IC407) control output port. Video IN/OUT switch (IC407) control output port. Not used. (GND) Not used.
16 17 18 19 20	RESET XOUT XIN S D0	I O I I I	Reset input. "L": Reset Clock output. Clock input. Serial data input (audio bus) Serial data input (audio bus)
21 22 23 24	D1 D2 V _{DD}	I — I —	Model selection input port. Connected to +5V (pull up). Not used. Model selection input port. Connected to GND. Power supply terminal (+5V)

IC601 system controller M50944-121FP

The system is wholly controlled by communication between IC351 (display microprocessor) and IC602 (mechanism controller).

Pin No.	Pin Name	I/O	Description
1	KEY2	I	Not used. (GND)
2	KEY1	I	Not used. (GND)
3	SYNC	O	Sync signal output which indicates the first byte of data sent to IC351 (display microprocessor).
4	FL-SCK	O	Data transmission clock output to IC351 (display microprocessor).
5	FL-SO	O	Serial data output to IC351 (display microprocessor).
6	AU-BUS	O	Audio bus output.
7	AU-BUS	I	Audio bus input (negative edge).
8	POWER-IN	I	Power-off detection input. "L": Power OFF.
9	PB-SELECT	O	Deck A/B switch output in the playback mode. "L": deck B, "H": deck A.
10	AMS-SELECT	O	AMS amplifier input switch output
11	MD-REQ	I	Data request input from IC602 (mechanism controller)
12	MD-SCLK	O	Data transmission clock output to IC602 (mechanism controller)
13	MD-SO	O	Serial data output to IC602 (mechanism controller)
14	MD-SI	I	Serial data input from IC602 (mechanism controller)
15		O	Not used. (GND)
16	RESET (MD)	O	IC602 (mechanism controller) reset signal output.
17	AU-BUS	I	Audio bus input (positive-edge)
18	RESET (DSP)	O	IC351 (display microprocessor) reset signal output.
19	GND	—	Power supply terminal. (GND)
20	RESET	I	System reset input. "L": Reset.
21	X-IN	I	Clock input (4MHz)
22	X-OUT	O	Clock output
23	XC-IN	I	Not used. (GND)
24	XC-OUT	O	Not used. (open)
25	VSS	—	Power supply terminal (GND)
26	N. C.		Not used. (open)
27	TEST	I	Electrical adjustment test mode setting input This set enters into the test mode when the power is on and it is set to "L". *1
28	VAR SELECT	I	Not used. (pull-up)
29	METAL (B)	I	Metal switch (S83) input for deck B. "H": Metal.
30	70 μ (B)	I	Chrome switch (S82) input for deck B. "L": Normal
31	POWER-ON	O	Not used. (open)
32~35			Not used. (GND)
36	70 μ (A)	I	Chrome switch (S83) input for deck A. "L": Normal.
37	AMS IN	I	Signal input from the AMS amplifier. "H": Detected, "L": Not detected.
38	N. C.		Not used. (GND)
39			Not used. (GND)
40	EQ-HIGH	O	REC equalizer characteristic switch output "H": High speed, "L": Normal speed.
41	BIAS FADE	O	Not used. (GND)
42	BIAS (B)	O	Bias ON/OFF switch output. "H": OFF, "L": ON.
43	TYPE II (B)	O	Not used. (GND)
44	TYPE I (B)	O	Not used. (GND)
45	R.MUTE (B)	O	REC mute control output. "L": Mute ON, "H": Mute OFF.
46	RELAY (B)	O	Mechanism deck head switch control output. "L": ON.
47	DOLBY B	O	Dolby B/C switch control output. "L": Dolby C, "H": Dolby B.
48	DOLBY ON	O	Dolby ON/OFF switch control output. "L": ON, "H": OFF.
49	REC/PB	O	Dolby amplifier REC/PB switch output. "L": REC, "H": PB.
50		O	Not used. (open)
51	PB 70 μ	O	Playback equalizer characteristic switch output. "H": normal, "L": chrome or metal
52	AMS/BS	O	Not used.
53	PASS	O	PASS amplifier switch output for LINE OUT. "L": PASS amplifier, "H": Through.

Pin No.	Pin Name	I/O	Description
54	LINE-MUTE	O	Line mute control output. "L": MUTE OFF, "H": MUTE ON
55	AVCC	—	Power supply terminal. (+5V)
56	VCC	—	Power supply terminal. (+5V)
57	AVSS	—	Power supply terminal (GND)
58	V.REF	I	Reference voltage input for A/D input port (+5 V)
59	METER (R)	I	Level meter signal input (R-CH)
60	METER (L)	I	Level meter signal input (L-CH)
61	VOL DATA	I	Not used. (GND)
62	KEY5	I	Not used. (GND)
63	KEY4	I	Key input. (analog) *2
64	KEY3	I	Key input. (analog) *2

*1 Test mode

When the power is on and pin ⑦ is set to "L" (TP601 is shortened.), the set enters the electrical adjustment test mode and the followings can be available.

(1) High speed playback

When A or B deck is in the playback mode and a resistor of 150 Ω is connected to both the terminals of TP6001 (main board), the set can be entered the high speed playback mode.

(2) Source monitor

Recording signals can be monitored through the LINE OUT terminal (see page 6) because the line short is removed in recording.

(3) Recording memory

Recording memory is set to ON when the tape counter is reset at the record start point.

(4) Mode display

The counter displays as shown in the A figure when the counter mode is set to the deck A and the deck A button of deck A/B switch is pressed, or when the counter mode is the B deck and the B deck button is pressed.

(5) When this terminal is set back to "H" after it is set to the test mode in "L" of the power-on mode, all the FL indicator tubes are lit.

(The mechanism block continues to operate as before it is set to "H".)

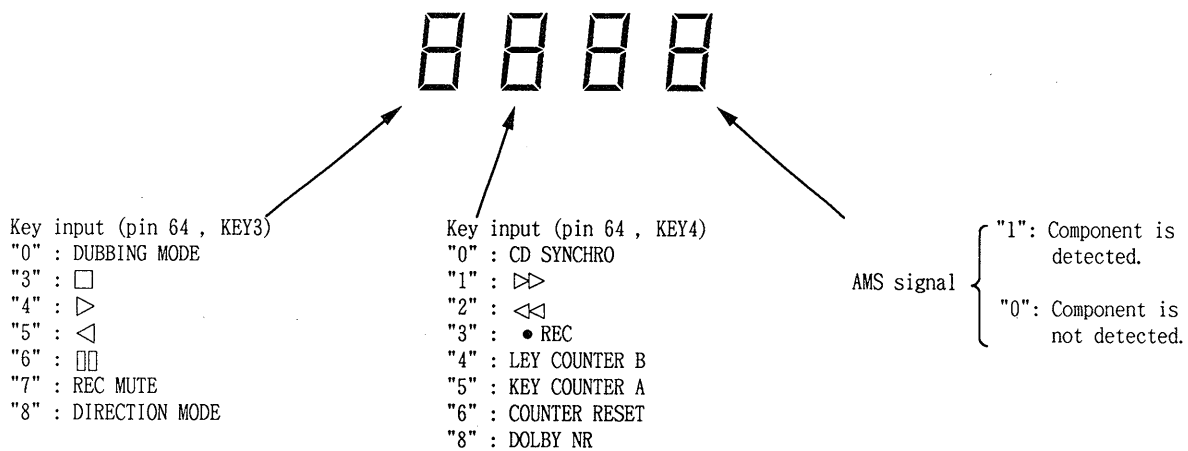


Figure A

*2 Key input (analog port)

Input port \ Voltage(V)	0	0.3	0.7	1.2	1.7	2.3	2.8	3.3	4.0
Pin 63, KEY4	CD SYNCHRO	◁◁	▷▷	● REC	KEY COUNTER B	KEY COUNTER A	COUNTER RESET		DOLBY NR
Pin 64, KEY3	DUBBING MODE			□	▷	◁	◻◻ PAUSE	● REC MUTE	DIRECTION MODE

IC602 mechanism controller M50925-482FP

The mechanism deck is controlled by receiving data from IC601 (system controller).

Pin No.	Pin Name	I/O	Description
1	RESET	I	Reset input from IC601 (system controller). "L": Reset.
2	STOP-A	I	Deck A stop switch (S81) input. "H": Stop.
3	AVSS	—	Power supply terminal (GND)
4	Vref	I	A/D input port reference voltage input.
5	A/D. IN-B	I	Deck B leaf switch input (analog). *1
6	A/D. IN-A	I	Deck A leaf switch input (analog). *1
7	AVDD	—	Power supply terminal. (+5V)
8	N. C.		
9	T. REEL-B	I	Not used. (GND)
10	S. REEL-B	I	Deck B supply reel table sensor (IC81)
11	T. REEL-A	I	Not used. (GND)
12	S. REEL-A	I	Deck A supply reel table sensor (IC81)
13~14	N. C.		
15	CM. ON-A	O	Deck A capstan motor (M102) ON/OFF control output. "L": OFF, "H": ON.
16	CM. ON-B	O	Deck B capstan motor (M102) ON/OFF control output. "L": OFF, "H": ON.
17	GND	—	Power supply terminal. (GND)
18	VSS	—	Power supply terminal. (GND)
19	CM. H/L	O	Capstan motor (M102) speed switch output. "H": High speed, "L": Normal.
20	FWD-B	O	} Deck B reel motor control output. *2 The reel motor is activated by combining these three outputs.
21	TRIG-B	O	
22	FWD-B	O	
23	RWD-A	O	} Deck A reel motor control output. *2 The reel motor is activated by combining these three outputs.
24	TRIG-A	O	
25	FWD-A	O	
26	N. C.		
27	S. REQ	O	Data request output to IC601 (system controller).
28	S. CLK	I	Data transmission clock input from IC601 (system controller).
29	S. OUT	O	Serial data output to IC601 (system controller).
30	S.IN	I	Serial data input from IC601 (system controller).
31~32	N. C.		
33	XOUT	O	Clock output.
34	XIN	I	Clock input.
35	STOP-B	I	Deck B stop switch (S81) input. "H": Stop.
36	VDD	—	Power supply terminal. (+5V)

*1 HALF, REC safety tab leaf switch input

Voltage		1	1.9	2.8	3.9	5
		Leaf switch				
Half	S86	ON				OFF
REC safety tab, side A	S84	OFF	ON	OFF	ON	OFF
REC safety tab, side B	S85	ON	ON	OFF	OFF	OFF

↑ ↑ ↑ ↑ ↑
 REC REC REC inhibit REC Tape is not
 available for available for for both sides available for set.
 only side B. both sides A for both sides only side A.
 A and B.

} Tape is set.

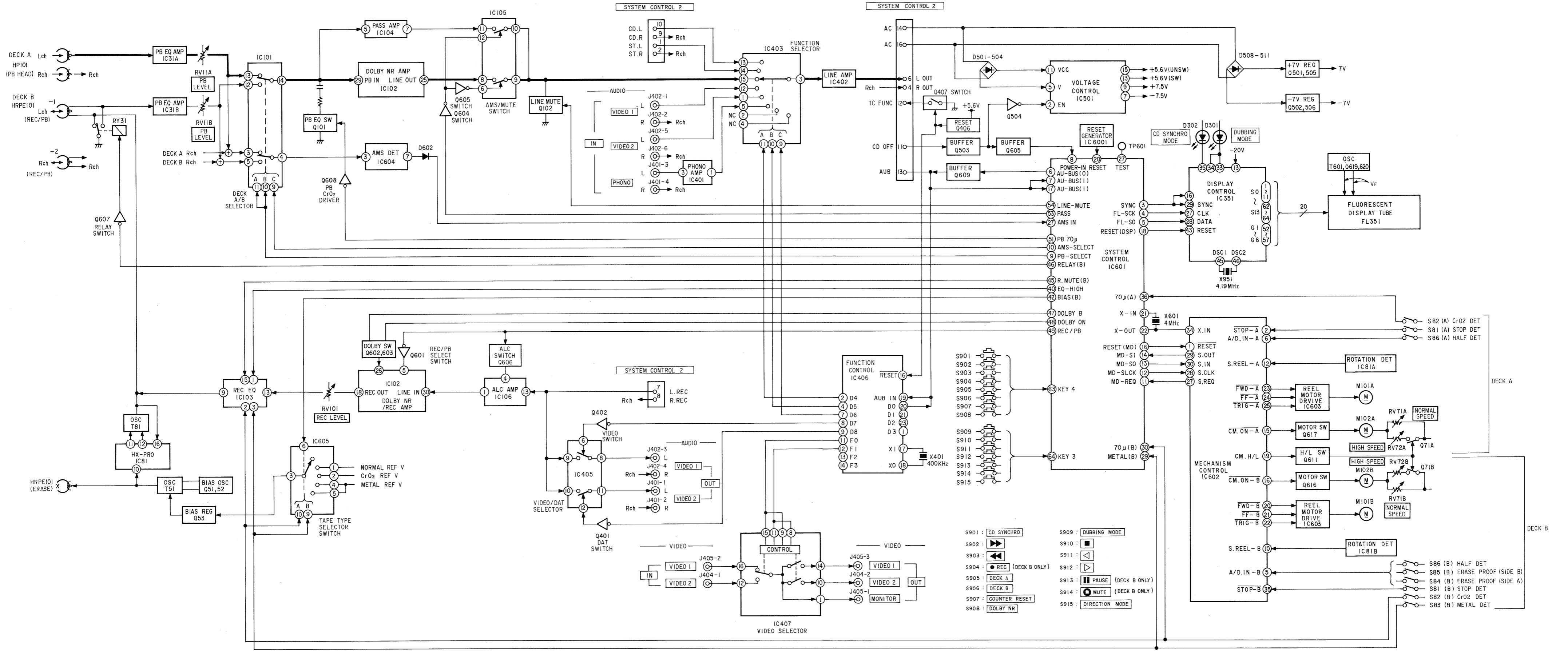
*2 Reel motor drive

Mode		FF	TRIG (kick)	STOP	FWO
		Output port			
Pins ② and ④	FF	L	H	L	L
Pins ② and ⑤	TRIG	H	L	L	H
Pins ② and ③	FWD	H	H	L	L

Reel motor drive amplifier output voltage

Output	Voltage
TRIG	+6V
FF. REW	-5V
FWD	-3V

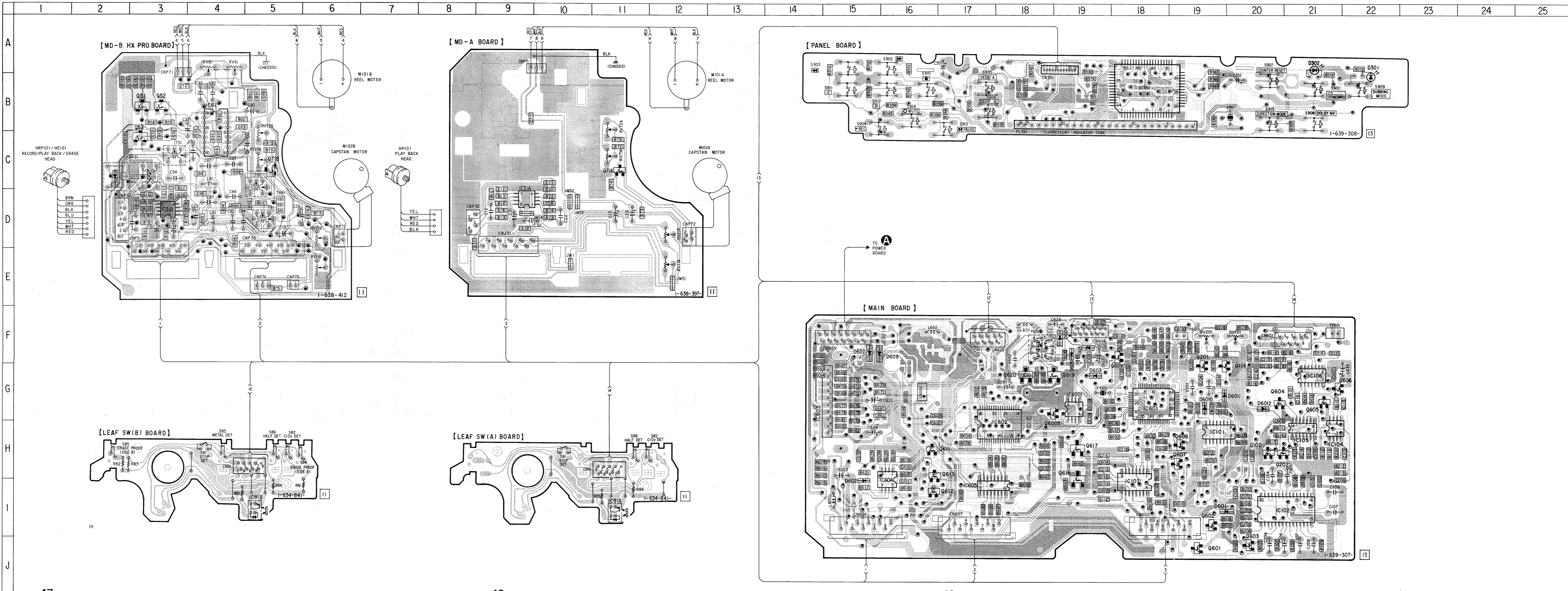
5-2. BLOCK DIAGRAM



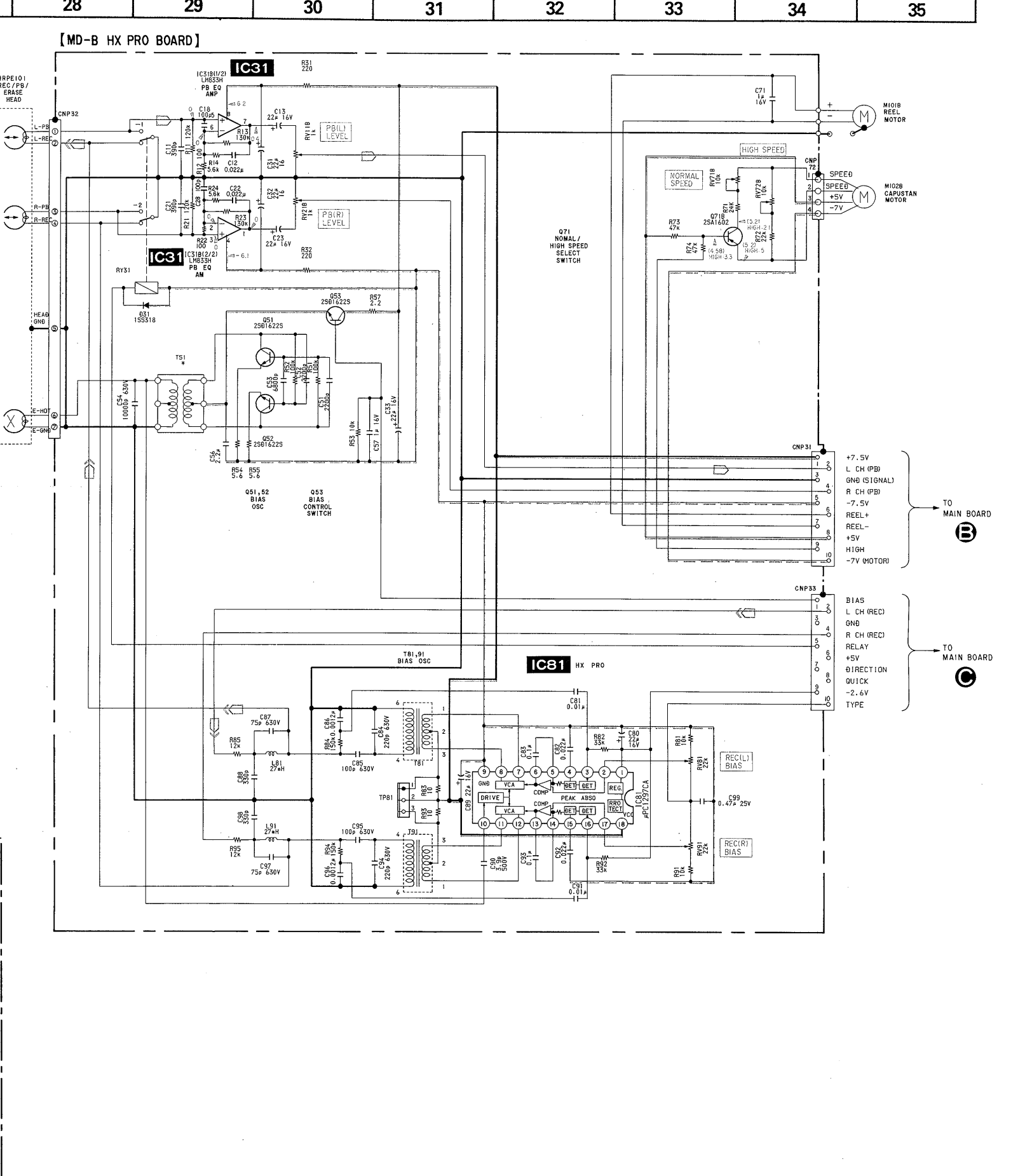
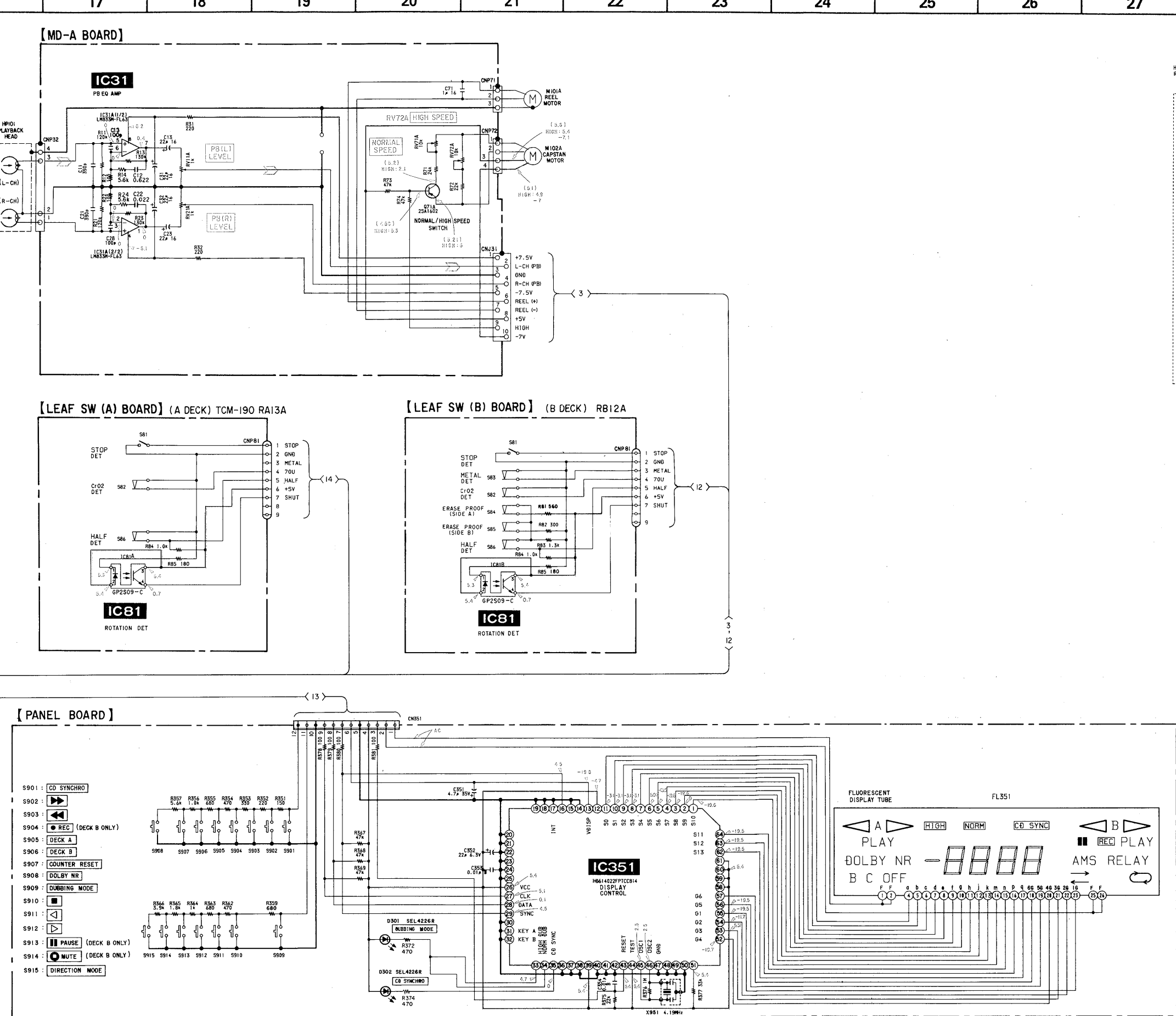
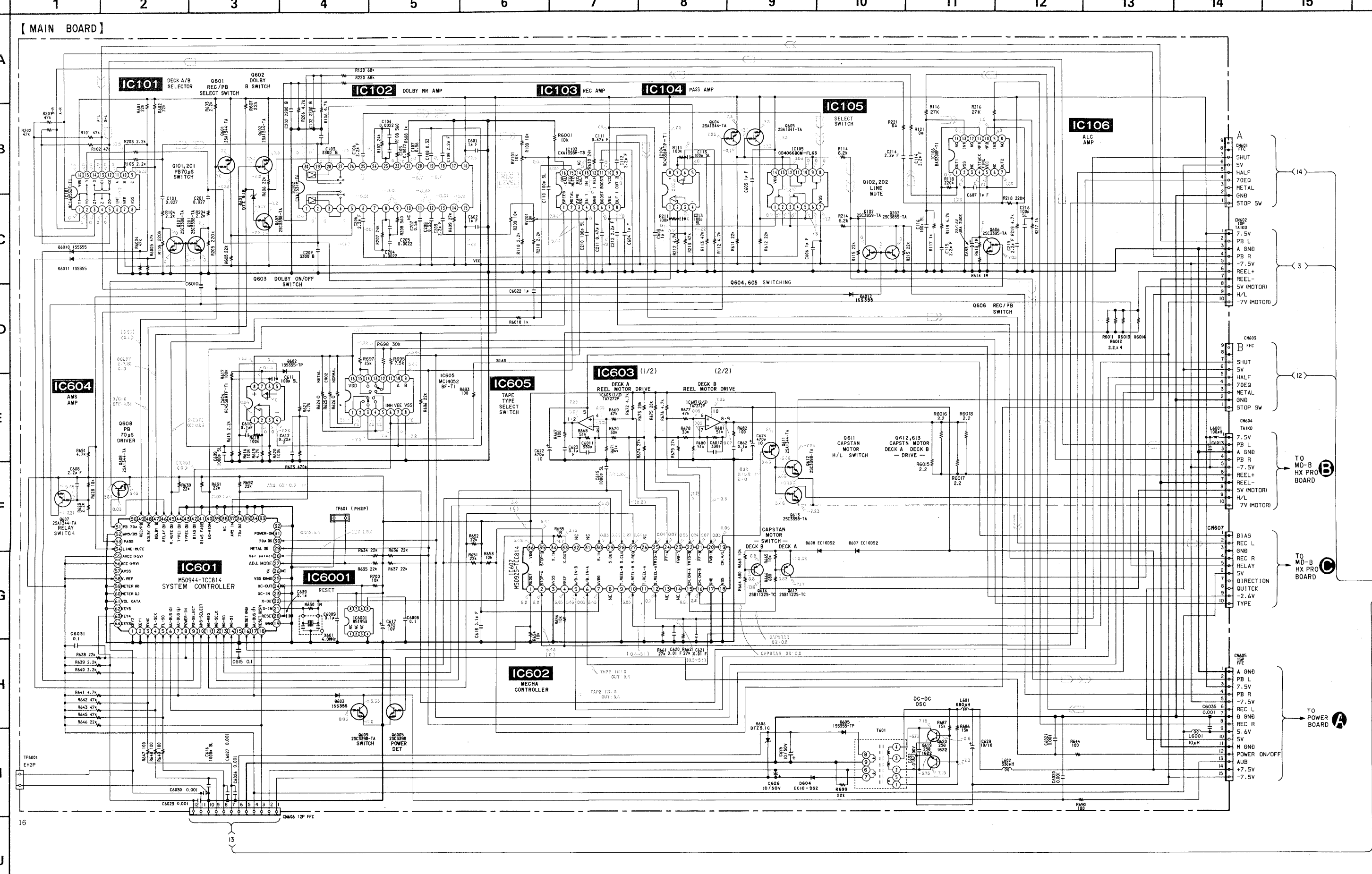
• Semiconductor Location

Ref. No.	Location
D31	C-2
D301	B-24
D302	A-23
D601	I-21
D602	I-15
D603	G-19
D604	F-19
D605	F-19
D606	F-19
D607	F-15
D608	F-16
D6010	G-21
D6011	G-21
D6012	G-22
IC31-A	D-9
IC31-B	D-3
IC81	C-4
IC81-A	I-11
IC81-B	I-5
IC101	H-21
IC102	I-23
IC103	I-20
IC104	H-23
IC105	H-23
IC106	G-23
IC351	B-20
IC601	G-20
IC602	H-18
IC603	G-15
IC604	I-16
IC605	I-17
IC6001	G-19
Q51	B-3
Q52	B-3
Q53	C-3
Q71-A	C-11
Q71-B	C-5
Q101	G-21
Q102	H-22
Q201	G-21
Q202	H-22
Q601	J-21
Q602	I-21
Q603	J-22
Q604	G-22
Q605	G-23
Q606	G-23
Q607	H-21
Q608	H-21
Q609	F-20
Q611	H-16
Q612	I-16
Q613	H-16
Q616	I-19
Q617	H-19
Q619	G-19
Q620	G-18
Q6005	G-19

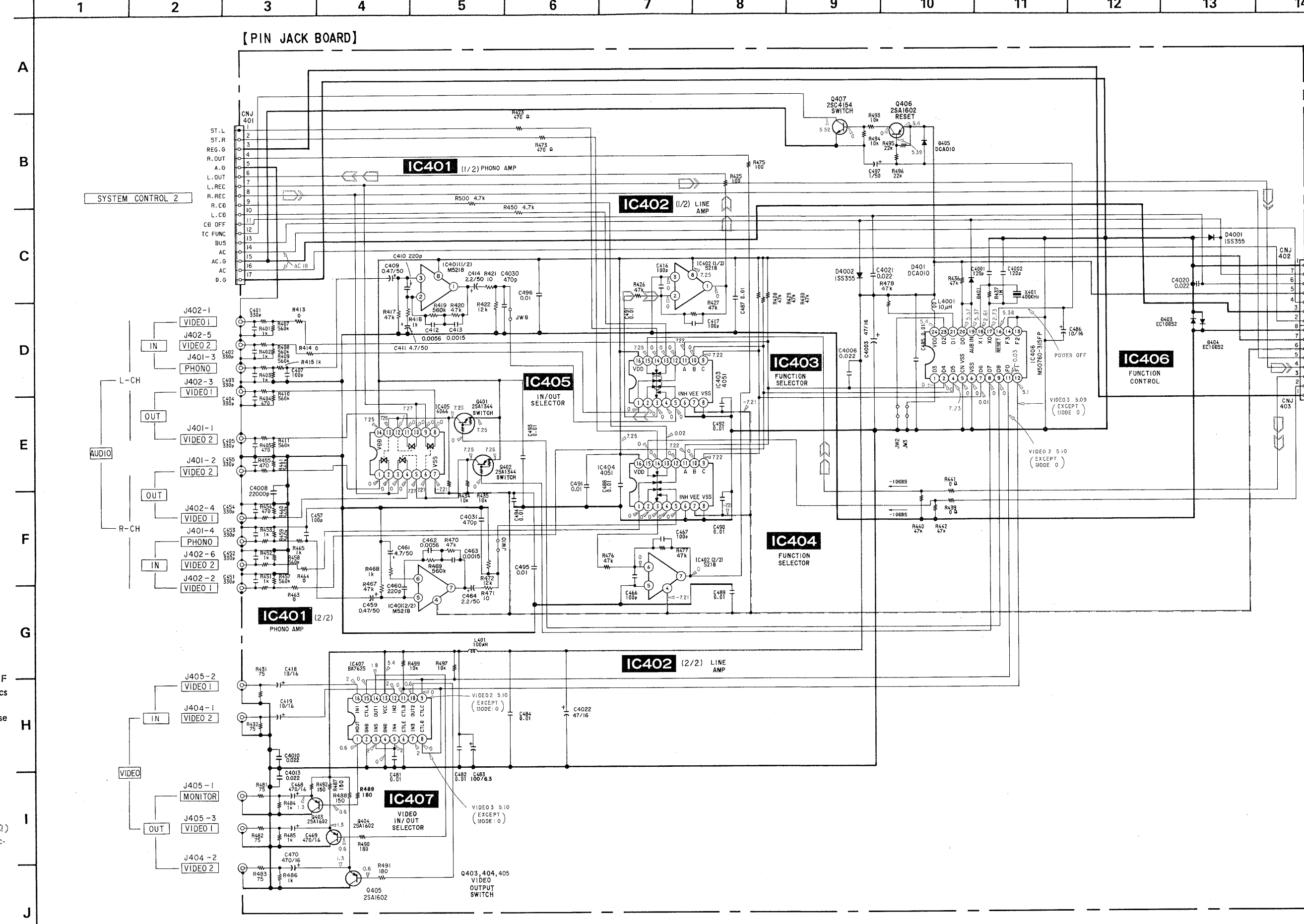
Note on Mounting Diagram:
 • — : parts extracted from the component side.
 • — : parts mounted on the conductor side.
 • — : Through hole.
 • — : Pattern on the side which is seen.
 • — : Pattern of the rear side.



5-4. SCHEMATIC DIAGRAM - MAIN SECTION - See page 26 for Note on Schematic Diagram. See page 35 for Ic Block Diagram.

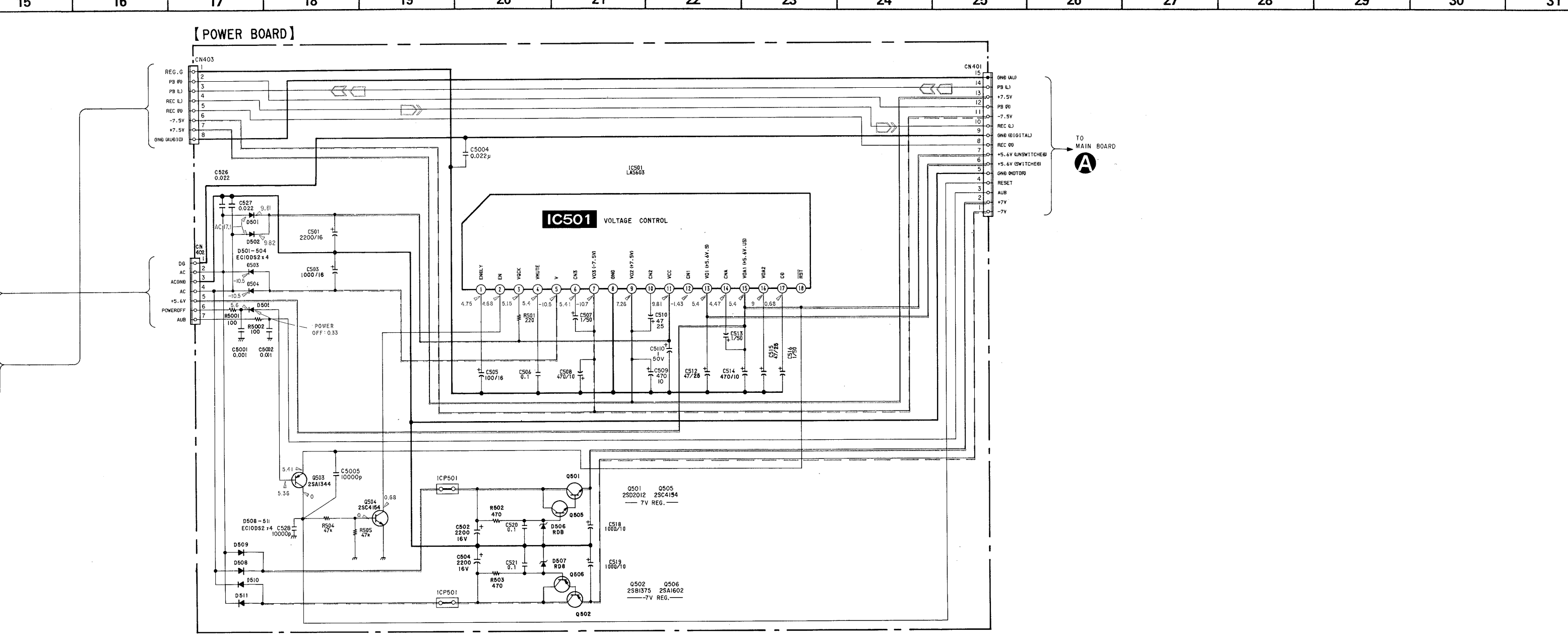


5-5. SCHEMATIC DIAGRAM - PIN JACK SECTION - See page 35 for IC Block Diagram.



Note on Schematic Diagram:

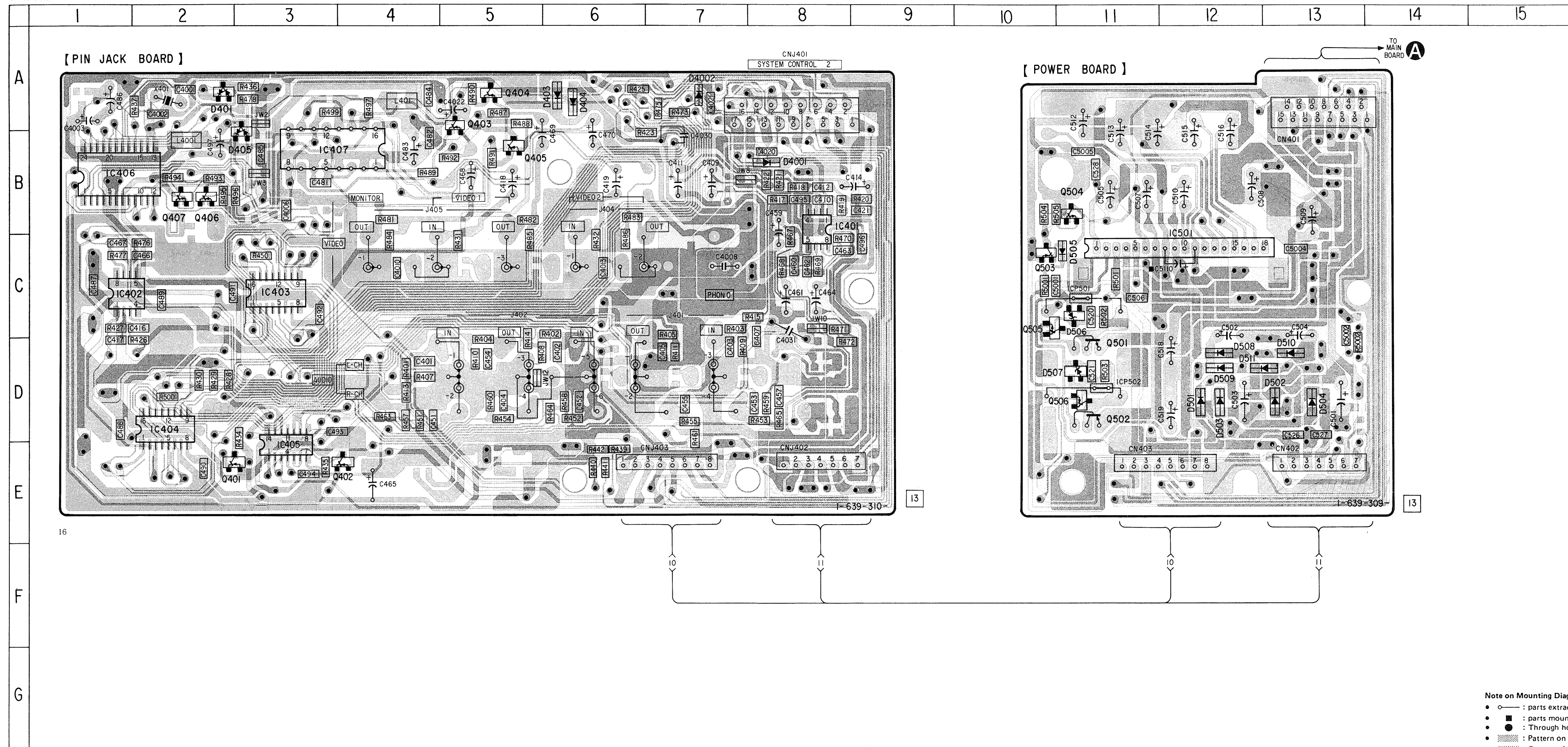
- All capacitors are in μF unless otherwise noted. pF: μF 50WV or less are not indicated except for electrolytics and tantalums.
- All resistors are in Ω and $\frac{1}{4}\text{W}$ or less unless otherwise specified.
- : B+ Line
- : B- Line
- : adjustment for repair.
- no mark: STOP
- { : PB
- < : REC
- Voltages are taken with a VOM (Input impedance $10\text{M}\Omega$) Voltage variations may be noted due to normal production tolerances.
- Signal path.
- : PB (DECK A)
- ▢ : PB (DECK B)
- : REC (DECK B)



Note on Schematic Diagram:

- All capacitors are in μF unless otherwise noted. pF: μF 50WV or less are not indicated except for electrolytics and tantalums.
- All resistors are in Ω and $\frac{1}{4}\text{W}$ or less unless otherwise specified.
- : B+ Line
- : B- Line
- : adjustment for repair.
- no mark: STOP
- { : PB
- < : REC
- Voltages are taken with a VOM (Input impedance $10\text{M}\Omega$) Voltage variations may be noted due to normal production tolerances.
- Signal path.
- : PB (DECK A)
- ▢ : PB (DECK B)
- : REC (DECK B)

5-6. PRINTED WIRING BOARDS - PIN JACK SECTION - See page 34 for Semiconductor Lead Layouts and Circuit Boards Location.



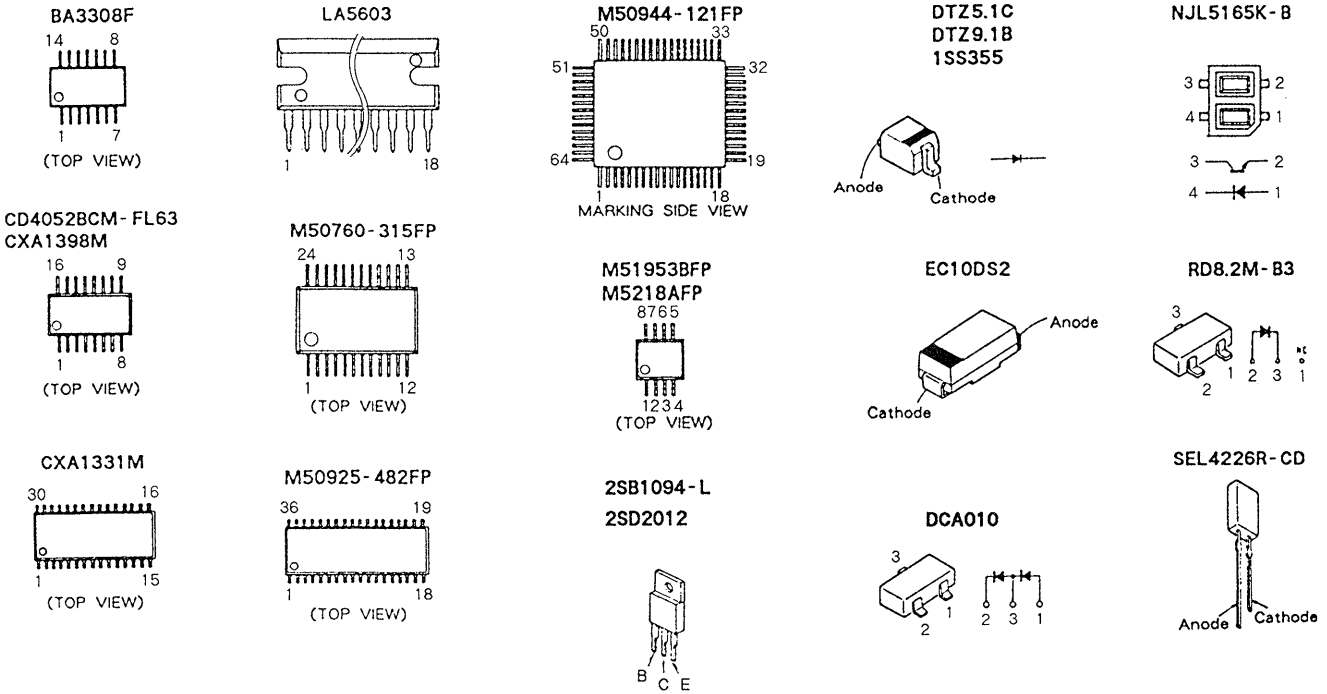
• Semiconductor Location

Ref. No.	Location
D401	A-2
D403	A-6
D404	A-6
D405	B-3
D501	D-12
D502	D-13
D503	D-12
D504	D-13
D505	C-11
D506	C-11
D507	D-11
D508	D-12
D509	D-12
D510	D-13
D511	D-13
D4001	B-8
D4002	A-7
IC401	C-8
IC402	C-1
IC403	C-3
IC404	D-2
IC405	E-3
IC406	B-1
IC407	B-3
IC501	C-12
Q401	E-3
Q402	E-4
Q403	A-5
Q404	A-5
Q405	A-5
Q406	B-2
Q407	B-2
Q501	D-11
Q502	D-11
Q503	C-10
Q504	B-11
Q505	C-10
Q506	D-11

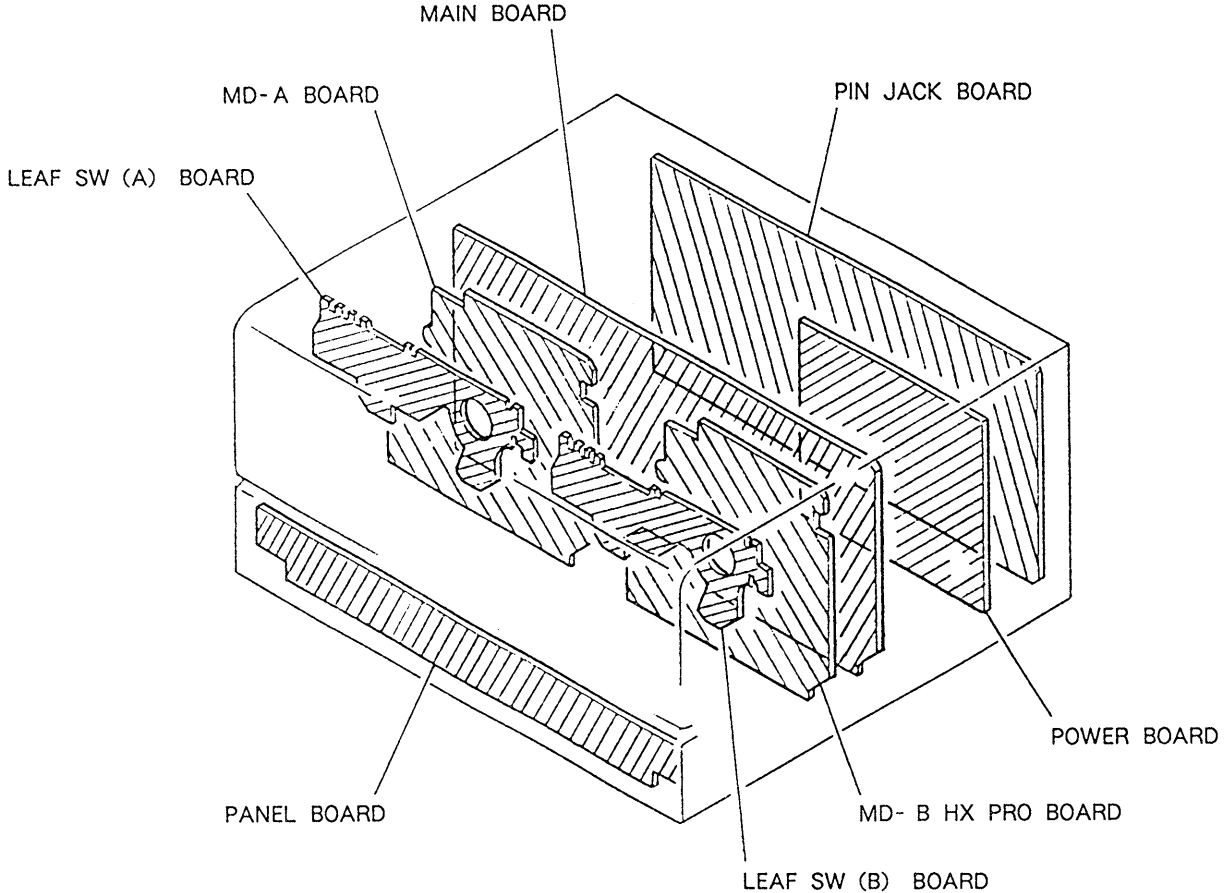
TO MAIN BOARD **A**

Note on Mounting Diagram:
 • ○ — : parts extracted from the component side.
 • ■ : parts mounted on the conductor side.
 • ● : Through hole.
 • [Hatched] : Pattern on the side which is seen.
 • [Dotted] : Pattern of the rear side.

5-7. SEMICONDUCTOR LEAD LAYOUTS

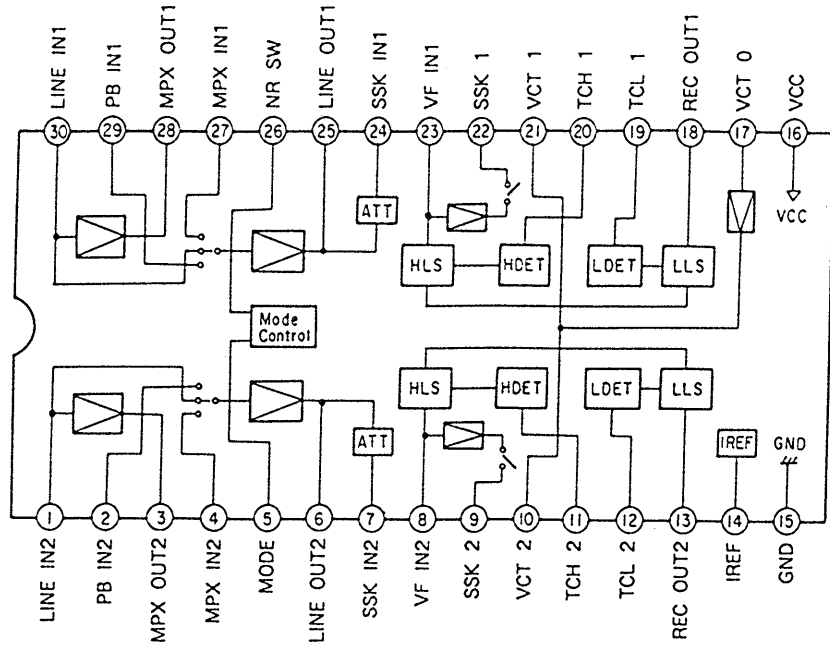


5-8. CRICUIT BOARDS LICATION

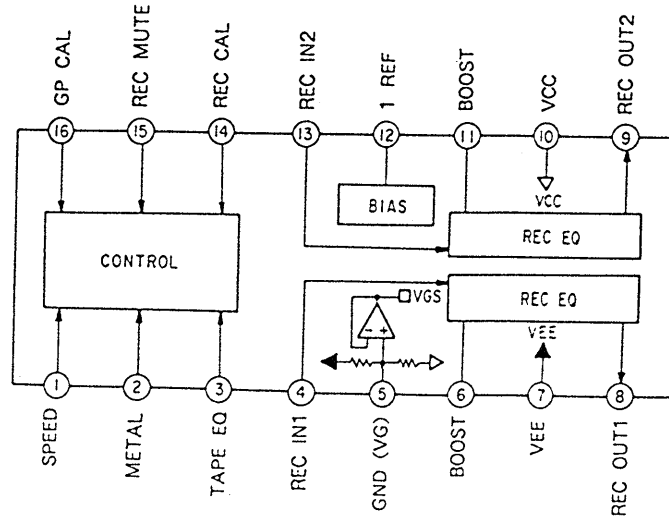


5-9. IC BLOCK DIAGRAM

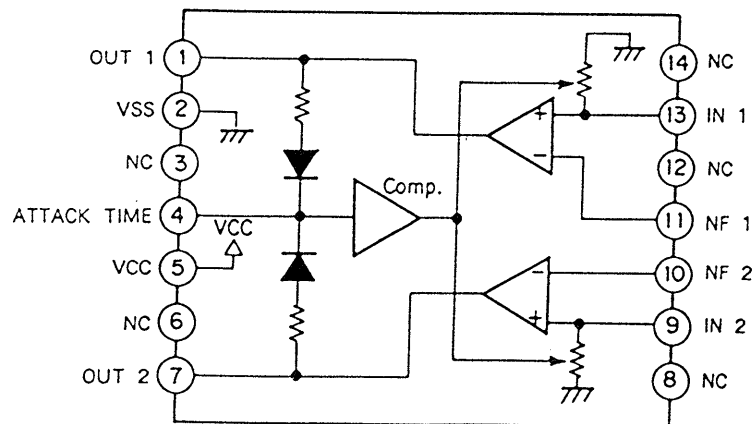
IC102 CXA1331M



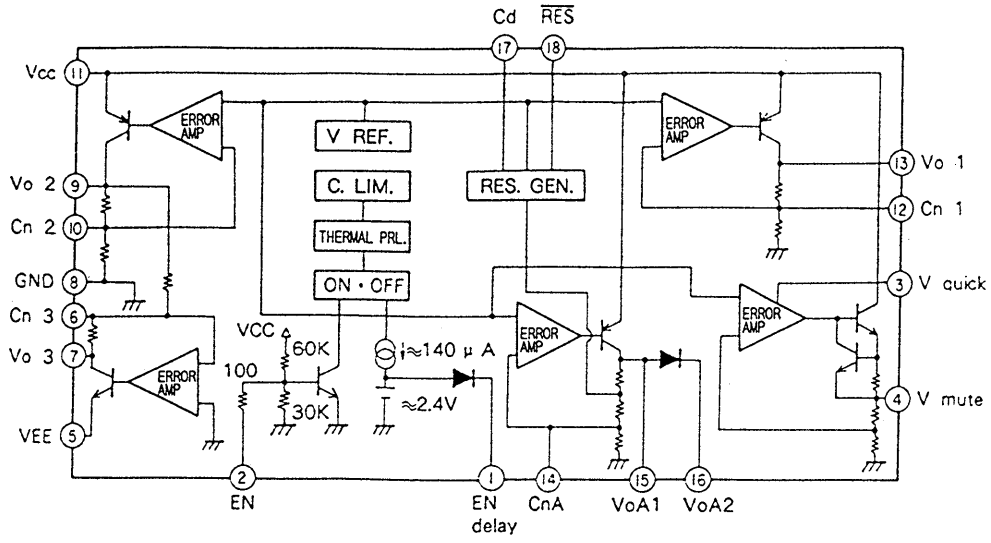
IC103 CXA1398M



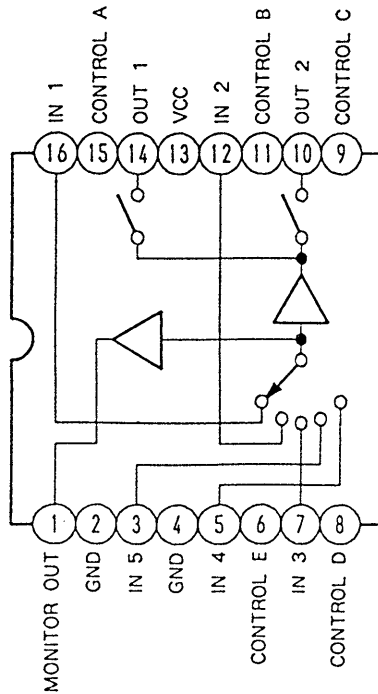
IC106 BA3308F



IC501 LA5603



IC407 BA7625

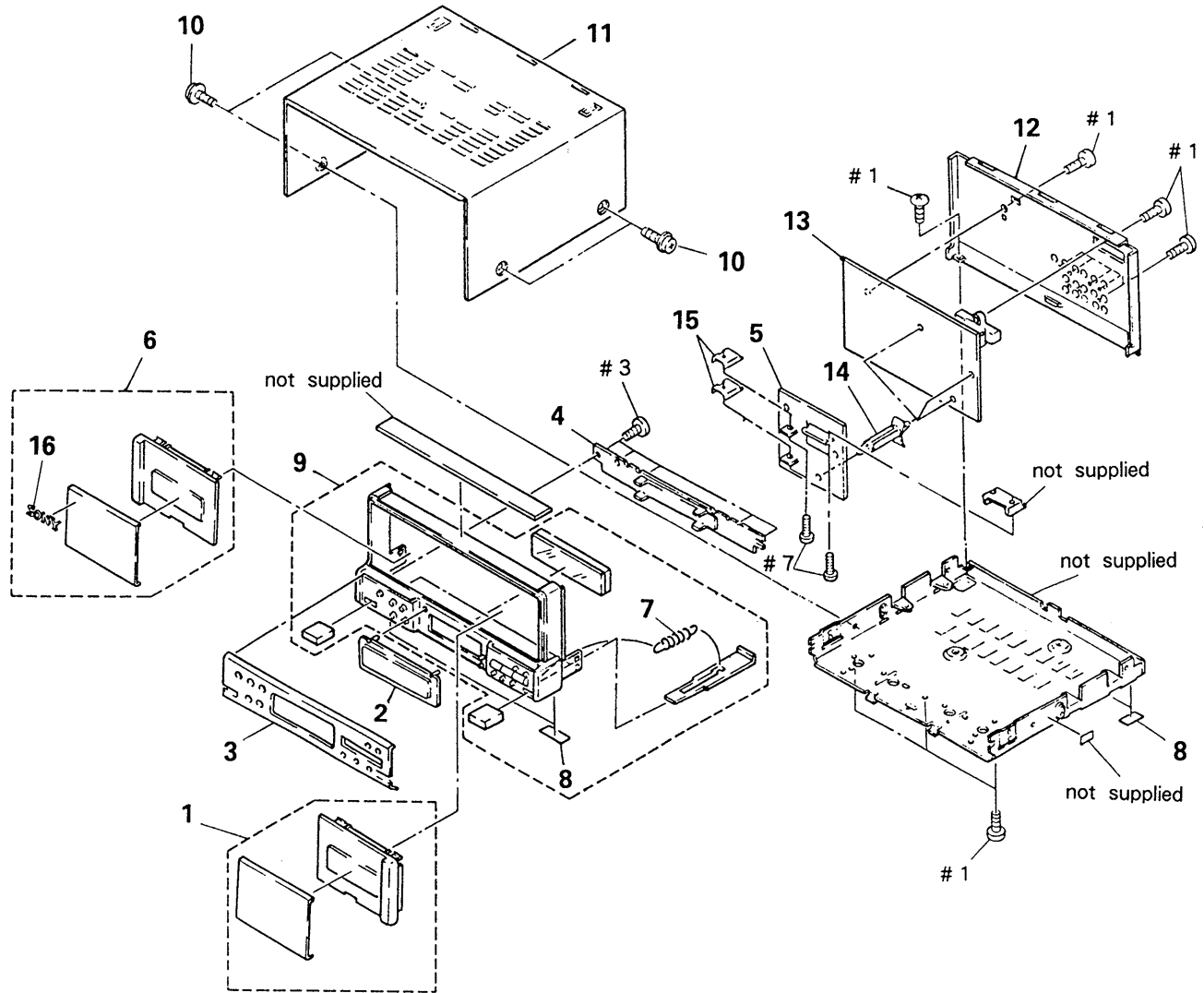


SECTION 6 EXPLODED VIEWS

NOTE :

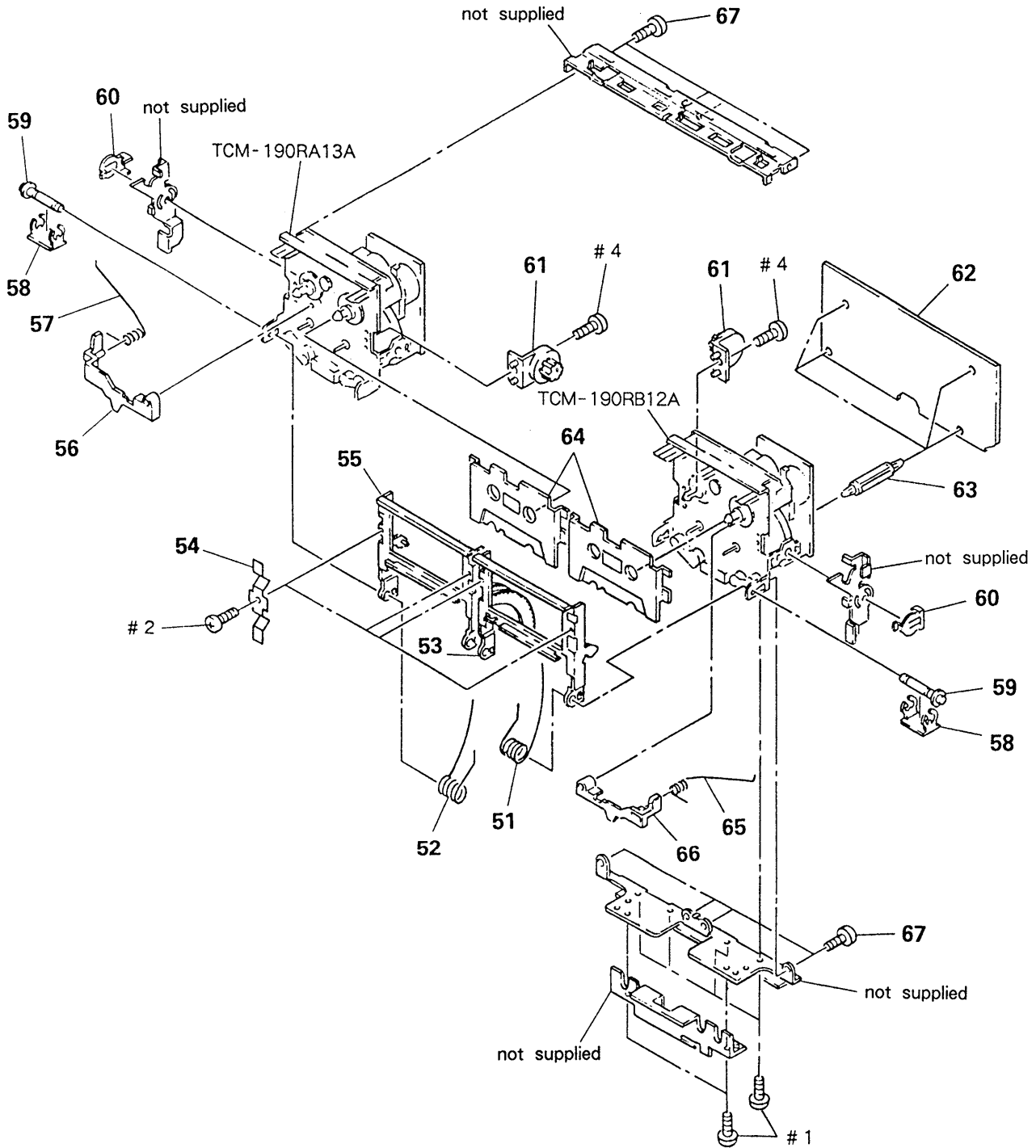
- - XX, - X mean standardized parts, so they may have some differences from the original one.
- Color Indication of Appearance Parts
Example :
KNOB, BALANCE (WHITE)...(RED)
Parts color ↑ Cabinet's color ↑
- Items marked "*" are not stocked since they are seldom required for routine service. Some delay should be anticipated when ordering these items.
- The mechanical parts with no reference number in the exploded views are not supplied.
- Hardware (# mark) list is given in the last of this parts list.

6-1. FRONT PANEL SECTION-1



Ref. No.	Part No.	Description	Remarks	Ref. No.	Part No.	Description	Remarks
1	X-3363-046-1	LID (B) ASSY, CASSETTE		9	X-3362-925-1	PANEL ASSY, FRONT	
2	X-3362-924-1	WINDOW (PANEL) ASSY		10	3-363-099-01	SCREW (CASE #3X8 TP2)	
3	3-367-891-01	PLATE (PANEL), ORNAMENTAL		11	* 4-932-841-01	CASE	
4	* A-2006-413-A	PANEL BOARD		12	* 3-366-761-11	PANEL, BACK	
5	* A-2006-612-A	POWER BOARD		13	* A-2006-416-A	PIN JACK BOARD	
6	X-3363-140-1	LID (A) ASSY, CASSETTE		14	* 3-703-353-02	SUPPORT, PC BOARD	
7	3-567-110-00	SPRING, TENSION		15	* 3-309-144-21	HEAT SINK	
8	4-930-336-01	FOOT (FELT)		16	4-942-636-01	EMBLEM (NO. 3.5), SONY	

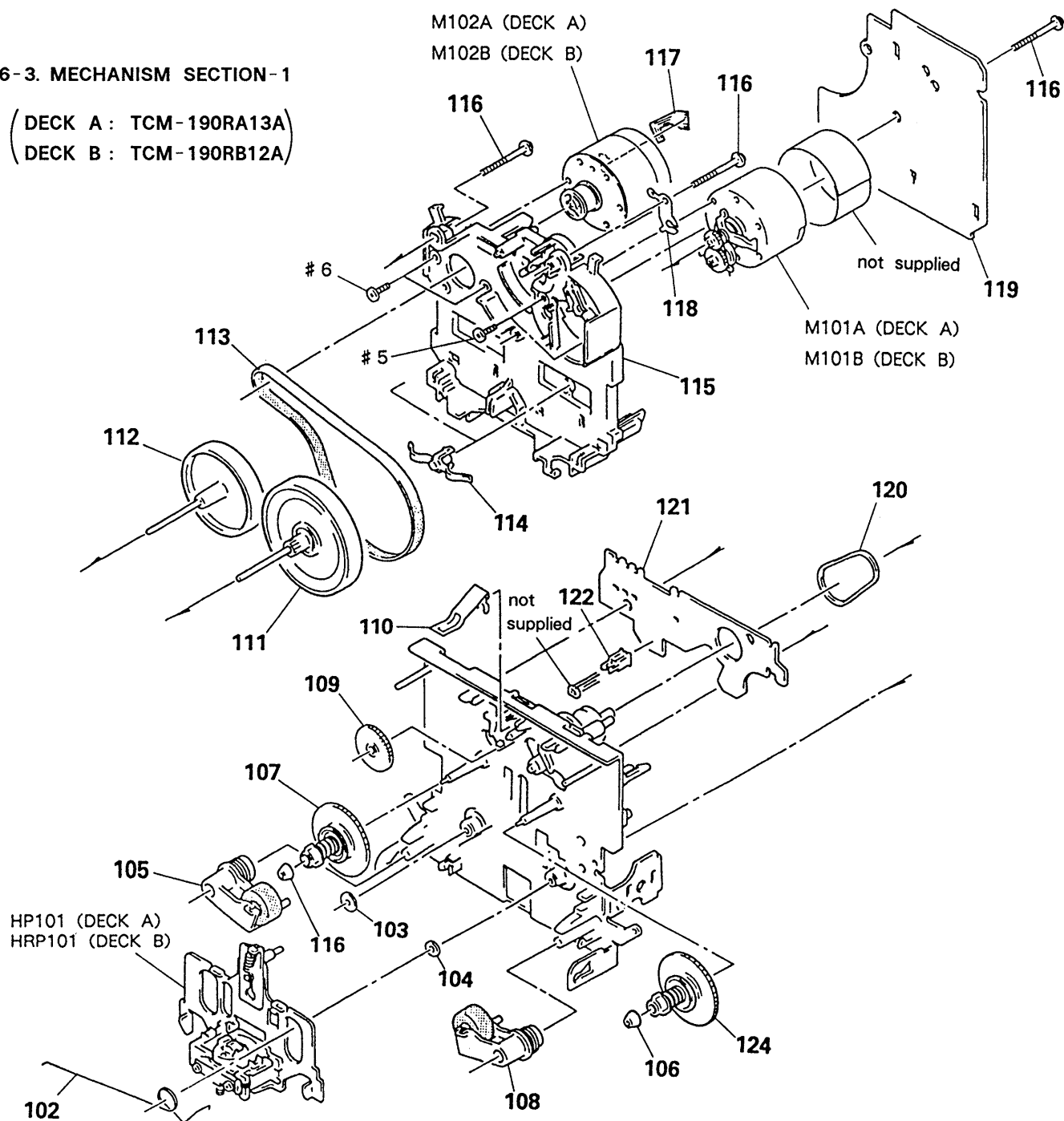
6-2. FRONT PANEL SECTION-2



Ref. No.	Part No.	Description	Remarks	Ref. No.	Part No.	Description	Remarks
51	3-354-960-01	SPRING (LOADING R), TORSION		60	3-354-957-01	JOINT (LOCK LEVER)	
52	3-354-959-01	SPRING (LOADING L), TORSION		61	3-354-963-01	DAMPER	
53	X-3362-856-1	HOLDER (R) ASSY, CASSETTE		62	* A-2006-412-A	MAIN BOARD	
54	3-340-137-01	SPRING, CASSETTE RETAINER		63	* 3-682-419-21	HOLDER, P. C. B	
55	X-3362-857-1	HOLDER (L) ASSY, CASSETTE		64	3-367-711-01	RETAINER, CASSETTE	
56	3-354-955-01	LEVER (EJ SAFTY LEVER L)		65	3-354-962-01	SPRING (EJ SAFTY SPRING R)	
57	3-354-961-01	SPRING (EJ SAFTY SPRING L)		66	3-354-956-01	LEVER (EJ SAFTY LEVER R)	
58	3-367-720-01	RING (W), RETAINING		67	4-928-635-01	SCREW, +BV (2.6X8) TAPPING	
59	3-367-721-01	SHAFT (FULCRUM SHAFT)					

6-3. MECHANISM SECTION-1

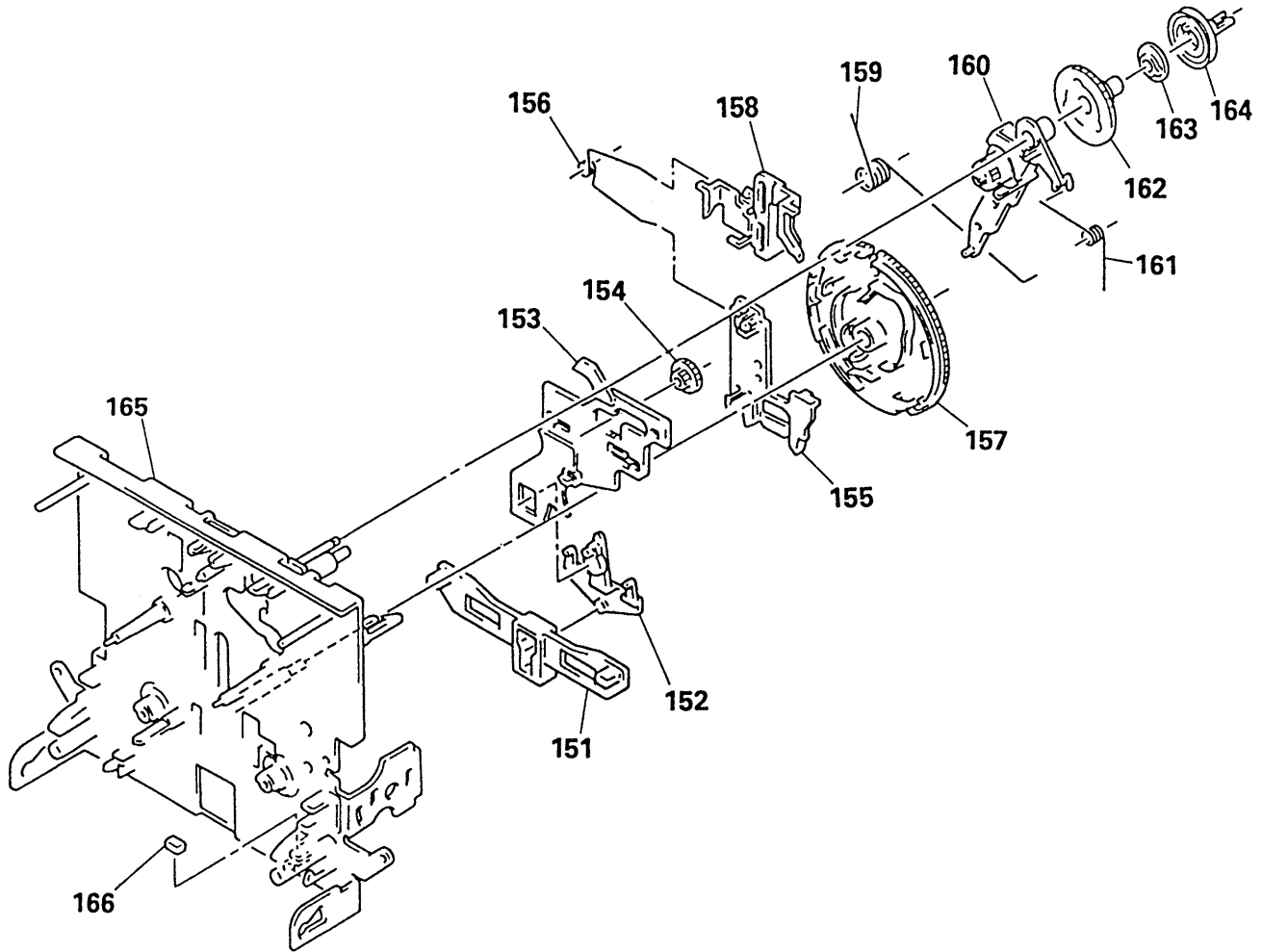
(DECK A : TCM-190RA13A)
 (DECK B : TCM-190RB12A)



Ref. No.	Part No.	Description	Remarks	Ref. No.	Part No.	Description	Remarks
102	3-359-455-01	SPRING, TORSION		117	1-638-983-11	PC BOARD, MOTOR FLEXIBLE	
103	3-356-714-01	WASHER		118	3-359-450-01	PLATE, GROUND	
104	3-356-713-01	WASHER		119	* A-2006-401-A	MD-B HX PRO BOARD (DECK B)	
105	X-3359-409-1	LEVER (PINCH LEVER REV) ASSY			* A-2006-399-A	MD-A BOARD (DECK A)	
106	3-362-308-01	CAP (REEL)		120	3-359-466-01	BELT (FR), SQUARE	
107	X-3362-078-1	TABLE ASSY (B), REEL		121	* 1-634-841-11	LEAF SW(A) BOARD (DECK A)	
108	X-3359-408-1	LEVER (PINCH LEVER FWD) ASSY			* 1-634-841-11	LEAF SW(B) (DECK B)	
109	3-359-424-01	GEAR (REV GEAR)		122	3-343-419-01	HOLDER (S SENSOR A)	
110	3-359-430-01	SPRING(CASSETTE RETAINER), LEAF		124	X-3359-404-1	TABLE ASSY, REEL	
111	X-3359-406-1	FLYWHEEL (FWD) COMPLETE ASSY		HP101	A-2003-868-A	BASE ASSY, HEAD (DECK A)	
112	X-3359-410-1	FLYWHEEL (REV) ASSY		HRP101	A-2003-838-A	BASE ASSY, HEAD (DECK B)	
113	3-359-417-01	BELT (FLAT), CAPSTAN		M101A	A-2003-474-A	MOTOR (REEL MOTOR) ASSY (DECK A)	
114	3-575-321-00	RETAINER, THRUST, CAPSTAN		M101B	A-2003-474-A	MOTOR (REEL MOTOR) ASSY (DECK B)	
115	* 3-359-436-01	BASE (THRUST RETAINER), FITTING		M102A	X-3359-417-1	MOTOR (CAPSTAN MOTOR) ASSY (DECK A)	
116	3-359-414-01	SCREW (+PTPWH 2X23)		M102B	X-3359-417-1	MOTOR (CAPSTAN MOTOR) ASSY (DECK B)	

6-4. MECHANISM SECTION-2

(DECK A : TCM-190RA13A)
 (DECK B : TCM-190RB12A)



Ref. No.	Part No.	Description	Remarks	Ref. No.	Part No.	Description	Remarks
151	* 3-359-425-01	SLIDER (REVERSE SLIDER)		159	3-359-456-01	SPRING (TRIGGER SPRING), TORSION	
152	3-359-426-01	LEVER (REVERSE LEVER)		160	X-3359-405-1	LEVER (FR ARM) ASSY	
153	* 3-359-415-01	SLIDER (TRIGGER SLIDER)		161	3-359-453-01	SPRING (FR ARM), TORSION	
154	3-359-448-01	GEAR (TRIGGER)		162	3-359-419-01	GEAR (FR GEAR)	
155	* 3-359-427-01	SLIDER (LEVERSE SLIDER)		163	3-359-421-01	CLUTCH (REEL DISK)	
156	3-359-454-01	SPRING, TORSION		164	3-359-418-01	PULLEY (FR PULLEY)	
157	3-359-420-01	GEAR (CAM GEAR)		165	X-3359-415-1	CHASSIS ASSY, MECHANICAL	
158	3-359-429-01	SLIDER (BRAKE PLATE)		166	3-359-469-01	SPACER	

SECTION 7 ELECTRICAL PARTS LIST

MAIN PANEL

PIN JACK POWER

NOTE :

When indicating parts by reference number, please include the board name.

- Due to standardization, replacements in the parts list may be different from the parts specified in the diagrams or the components used on the set.
- -XX, -X mean standardized parts, so they may have some difference from the original one.
- RESISTORS
All resistors are in ohms.
METAL : metal-film resistor
METAL OXIDE : Metal Oxide-film resistor
F : nonflammable
- Items marked "*" are not stocked since they are seldom required for routine service. Some delay should be anticipated when ordering these items.
- SEMICONDUCTORS
In each case, u : μ , for example :
uA... : μ A..., uPA..., μ PA...,
uPB..., μ PB..., uPC..., μ PC...,
uPD..., μ PD...
- CAPACITORS :
uF : μ F
- COILS
uH : μ H

Ref. No.	Part No.	Description	Remarks	Ref. No.	Part No.	Description	Remarks
* A-2006-412-A		MAIN BOARD *****		C205	1-106-351-00	MYLAR 2200PF 5%	200V
* A-2006-413-A		PANEL BOARD *****		C206	1-164-505-11	CERAMIC CHIP 2.2uF	16V
* A-2006-416-A		PIN JACK BOARD *****		C207	1-136-174-00	FILM 0.56uF 5%	50V
* A-2006-612-A		POWER BOARD *****		C208	1-136-171-00	FILM 0.33uF 5%	50V
* 3-309-144-21		HEAT SINK		C209	1-164-505-11	CERAMIC CHIP 2.2uF	16V
* 3-367-839-01		HOLDER, FL TUBE		C210	1-163-117-00	CERAMIC CHIP 100PF 5%	50V
9-911-863-XX		SPACER		C211	1-164-005-11	CERAMIC CHIP 0.47uF	25V
7-685-646-79		SCREW +BVTP 3X8 TYPE2 N-S		C212	1-164-505-11	CERAMIC CHIP 2.2uF	16V
		(CAPACITOR)		C213	1-163-117-00	CERAMIC CHIP 100PF 5%	50V
C101	1-136-158-00	FILM 0.027uF 5%	50V	C214	1-164-505-11	CERAMIC CHIP 2.2uF	16V
C102	1-164-161-11	CERAMIC CHIP 0.0022uF 10%	100V	C215	1-164-505-11	CERAMIC CHIP 2.2uF	16V
C103	1-164-182-11	CERAMIC CHIP 0.0033uF 10%	50V	C216	1-163-117-00	CERAMIC CHIP 100PF 5%	50V
C104	1-106-351-00	MYLAR 2200PF 5%	200V	C351	1-126-163-11	ELECT 4.7uF 20%	50V
C105	1-106-351-00	MYLAR 2200PF 5%	200V	C352	1-124-638-11	ELECT 22uF 20%	10V
C106	1-164-505-11	CERAMIC CHIP 2.2uF	16V	C353	1-164-232-11	CERAMIC CHIP 0.01uF	50V
C107	1-136-174-00	FILM 0.56uF 5%	50V	C354	1-164-232-11	CERAMIC CHIP 0.01uF	50V
C108	1-136-171-00	FILM 0.33uF 5%	50V	C401	1-163-003-11	CERAMIC CHIP 330PF 10%	50V
C109	1-164-505-11	CERAMIC CHIP 2.2uF	16V	C402	1-163-003-11	CERAMIC CHIP 330PF 10%	50V
C110	1-163-117-00	CERAMIC CHIP 100PF 5%	50V	C403	1-163-003-11	CERAMIC CHIP 330PF 10%	50V
C111	1-164-005-11	CERAMIC CHIP 0.47uF	25V	C404	1-163-003-11	CERAMIC CHIP 330PF 10%	50V
C112	1-164-505-11	CERAMIC CHIP 2.2uF	16V	C405	1-163-003-11	CERAMIC CHIP 330PF 10%	50V
C113	1-163-117-00	CERAMIC CHIP 100PF 5%	50V	C407	1-163-117-00	CERAMIC CHIP 100PF 5%	50V
C114	1-164-505-11	CERAMIC CHIP 2.2uF	16V	C409	1-124-465-00	ELECT 0.47uF 20%	50V
C115	1-164-505-11	CERAMIC CHIP 2.2uF	16V	C410	1-163-125-00	CERAMIC CHIP 220PF 5%	50V
C116	1-163-117-00	CERAMIC CHIP 100PF 5%	50V	C411	1-126-163-11	ELECT 4.7uF 20%	50V
C201	1-136-158-00	FILM 0.027uF 5%	50V	C412	1-163-018-00	CERAMIC CHIP 0.0056uF 5%	50V
C202	1-164-161-11	CERAMIC CHIP 0.0022uF 10%	100V	C413	1-163-011-11	CERAMIC CHIP 0.0015uF 10%	50V
C203	1-164-182-11	CERAMIC CHIP 0.0033uF 10%	50V	C414	1-124-257-00	ELECT 2.2uF 20%	50V
C204	1-106-351-00	MYLAR 2200PF 5%	200V	C416	1-163-117-00	CERAMIC CHIP 100PF 5%	50V
				C417	1-163-117-00	CERAMIC CHIP 100PF 5%	50V
				C418	1-126-157-11	ELECT 10uF 20%	16V
				C419	1-126-157-11	ELECT 10uF 20%	16V
				C451	1-163-003-11	CERAMIC CHIP 330PF 10%	50V
				C452	1-163-003-11	CERAMIC CHIP 330PF 10%	50V
				C453	1-163-003-11	CERAMIC CHIP 330PF 10%	50V

MAIN

PANEL

PIN JACK

POWER

Ref. No.	Part No.	Description	Remarks	Ref. No.	Part No.	Description	Remarks
C454	1-163-003-11	CERAMIC CHIP	330PF 10% 50V	C526	1-163-037-11	CERAMIC CHIP	0.022uF 10% 25V
C455	1-163-003-11	CERAMIC CHIP	330PF 10% 50V	C527	1-163-037-11	CERAMIC CHIP	0.022uF 10% 25V
C457	1-163-117-00	CERAMIC CHIP	100PF 5% 50V	C528	1-164-232-11	CERAMIC CHIP	0.01uF 50V
C459	1-124-465-00	ELECT	0.47uF 20% 50V	C601	1-164-346-11	CERAMIC CHIP	1uF 16V
C460	1-163-125-00	CERAMIC CHIP	220PF 5% 50V	C602	1-164-346-11	CERAMIC CHIP	1uF 16V
C461	1-126-163-11	ELECT	4.7uF 20% 50V	C603	1-164-346-11	CERAMIC CHIP	1uF 16V
C462	1-163-018-00	CERAMIC CHIP	0.0056uF 5% 50V	C604	1-164-346-11	CERAMIC CHIP	1uF 16V
C463	1-163-011-11	CERAMIC CHIP	0.0015uF 10% 50V	C605	1-164-346-11	CERAMIC CHIP	1uF 16V
C464	1-124-257-00	ELECT	2.2uF 20% 50V	C606	1-164-346-11	CERAMIC CHIP	1uF 16V
C466	1-163-117-00	CERAMIC CHIP	100PF 5% 50V	C607	1-164-346-11	CERAMIC CHIP	1uF 16V
C467	1-163-117-00	CERAMIC CHIP	100PF 5% 50V	C608	1-164-505-11	CERAMIC CHIP	2.2uF 16V
C468	1-126-012-11	ELECT	470uF 20% 16V	C609	1-163-141-00	CERAMIC CHIP	0.001uF 5% 50V
C469	1-126-012-11	ELECT	470uF 20% 16V	C610	1-163-038-00	CERAMIC CHIP	0.1uF 25V
C470	1-126-012-11	ELECT	470uF 20% 16V	C611	1-163-117-00	CERAMIC CHIP	100PF 5% 50V
C481	1-164-232-11	CERAMIC CHIP	0.01uF 50V	C612	1-164-222-11	CERAMIC CHIP	0.22uF 25V
C482	1-164-232-11	CERAMIC CHIP	0.01uF 50V	C615	1-163-038-00	CERAMIC CHIP	0.1uF 25V
C483	1-126-177-11	ELECT	100uF 20% 10V	C616	1-163-141-00	CERAMIC CHIP	0.001uF 5% 50V
C484	1-164-232-11	CERAMIC CHIP	0.01uF 50V	C617	1-124-472-11	ELECT	470uF 20% 10V
C485	1-164-232-11	CERAMIC CHIP	0.01uF 50V	C618	1-163-038-00	CERAMIC CHIP	0.1uF 25V
C486	1-126-157-11	ELECT	10uF 20% 16V	C619	1-163-141-00	CERAMIC CHIP	0.001uF 5% 50V
C487	1-164-232-11	CERAMIC CHIP	0.01uF 50V	C620	1-164-232-11	CERAMIC CHIP	0.01uF 50V
C488	1-164-232-11	CERAMIC CHIP	0.01uF 50V	C621	1-164-232-11	CERAMIC CHIP	0.01uF 50V
C489	1-164-232-11	CERAMIC CHIP	0.01uF 50V	C622	1-124-472-11	ELECT	470uF 20% 10V
C490	1-164-232-11	CERAMIC CHIP	0.01uF 50V	C623	1-163-038-00	CERAMIC CHIP	0.1uF 25V
C491	1-164-232-11	CERAMIC CHIP	0.01uF 50V	C624	1-124-472-11	ELECT	470uF 20% 10V
C492	1-164-232-11	CERAMIC CHIP	0.01uF 50V	C625	1-126-059-11	ELECT	10uF 20% 50V
C493	1-164-232-11	CERAMIC CHIP	0.01uF 50V	C626	1-126-059-11	ELECT	10uF 20% 50V
C494	1-164-232-11	CERAMIC CHIP	0.01uF 50V	C629	1-126-157-11	ELECT	10uF 20% 16V
C495	1-164-232-11	CERAMIC CHIP	0.01uF 50V	C632	1-136-594-11	FILM	0.018uF 5% 100V
C496	1-164-232-11	CERAMIC CHIP	0.01uF 50V	C633	1-124-234-00	ELECT	22uF 20% 16V
C497	1-126-301-11	ELECT	1uF 20% 50V	C639	1-163-038-00	CERAMIC CHIP	0.1uF 25V
C501	1-124-556-11	ELECT	2200uF 20% 16V	C862	1-163-038-00	CERAMIC CHIP	0.1uF 25V
C502	1-124-556-11	ELECT	2200uF 20% 16V	C4001	1-163-119-00	CERAMIC CHIP	120PF 5% 50V
C503	1-124-360-00	ELECT	1000uF 20% 16V	C4002	1-163-119-00	CERAMIC CHIP	120PF 5% 50V
C504	1-124-556-11	ELECT	2200uF 20% 16V	C4003	1-124-589-11	ELECT	47uF 20% 16V
C505	1-126-023-11	ELECT	100uF 20% 16V	C4006	1-101-005-00	CERAMIC	22000PF 50V
C506	1-163-038-00	CERAMIC CHIP	0.1uF 25V	C4008	1-101-005-00	CERAMIC	22000PF 50V
C507	1-124-903-11	ELECT	1uF 20% 50V	C4010	1-163-037-11	CERAMIC CHIP	0.022uF 10% 25V
C508	1-124-472-11	ELECT	470uF 20% 10V	C4013	1-163-037-11	CERAMIC CHIP	0.022uF 10% 25V
C509	1-124-472-11	ELECT	470uF 20% 10V	C4020	1-163-037-11	CERAMIC CHIP	0.022uF 10% 25V
C510	1-124-477-11	ELECT	47uF 20% 25V	C4021	1-163-037-11	CERAMIC CHIP	0.022uF 10% 25V
C512	1-124-477-11	ELECT	47uF 20% 25V	C4022	1-124-589-11	ELECT	47uF 20% 16V
C513	1-124-903-11	ELECT	1uF 20% 50V	C4030	1-163-133-00	CERAMIC	470P 5% 50V
C514	1-124-472-11	ELECT	470uF 20% 10V	C4031	1-163-133-00	CERAMIC	470P 5% 50V
C515	1-124-477-11	ELECT	47uF 20% 25V	C5001	1-163-009-11	CERAMIC CHIP	0.001uF 10% 50V
C516	1-124-903-11	ELECT	1uF 20% 50V	C5002	1-163-009-11	CERAMIC CHIP	0.001uF 10% 50V
C518	1-124-473-11	ELECT	1000uF 20% 10V	C5004	1-163-037-11	CERAMIC CHIP	0.022uF 10% 25V
C519	1-124-473-11	ELECT	1000uF 20% 10V	C5005	1-164-232-11	CERAMIC CHIP	0.01uF 50V
C520	1-163-038-00	CERAMIC CHIP	0.1uF 25V	C5110	1-124-903-11	ELECT	1uF 20% 50V
C521	1-163-038-00	CERAMIC CHIP	0.1uF 25V	C6008	1-163-038-00	CERAMIC CHIP	0.1uF 25V

MAIN

PANEL

PIN JACK

POWER

Ref. No.	Part No.	Description	Remarks	Ref. No.	Part No.	Description	Remarks
C6009	1-163-038-00	CERAMIC CHIP 0.1uF	25V	D604	8-719-210-33	DIODE EC10DS2	
C6010	1-163-038-00	CERAMIC CHIP 0.1uF	25V	D605	8-719-988-62	DIODE 1SS355	
C6011	1-163-129-00	CERAMIC CHIP 330PF 5%	50V	D606	8-719-977-00	DIODE DTZ5.1C	
C6012	1-163-129-00	CERAMIC CHIP 330PF 5%	50V	D607	8-719-210-33	DIODE EC10DS2	
C6013	1-126-023-11	ELECT 100uF 20%	16V	D608	8-719-210-33	DIODE EC10DS2	
C6020	1-163-141-00	CERAMIC CHIP 0.001uF 5%	50V	D4001	8-719-988-62	DIODE 1SS355	
C6021	1-163-141-00	CERAMIC CHIP 0.001uF 5%	50V	D4002	8-719-988-62	DIODE 1SS355	
C6022	1-164-346-11	CERAMIC CHIP 1uF	16V	D6010	8-719-988-62	DIODE 1SS355	
C6026	1-163-141-00	CERAMIC CHIP 0.001uF 5%	50V	D6011	8-719-988-62	DIODE 1SS355	
C6027	1-163-141-00	CERAMIC CHIP 0.001uF 5%	50V	D6012	8-719-988-62	DIODE 1SS355	
C6029	1-163-141-00	CERAMIC CHIP 0.001uF 5%	50V			< INDICATOR >	
C6030	1-163-141-00	CERAMIC CHIP 0.001uF 5%	50V	FL351	1-519-638-11	INDICATOR TUBE, FLUORESCENT	
C6031	1-163-038-00	CERAMIC CHIP 0.1uF	25V			< IC >	
C6035	1-163-141-00	CERAMIC CHIP 0.001uF 5%	50V				
		< CONNECTOR >		IC101	8-759-300-71	IC HD4053BFP	
CN351	1-580-883-21	SOCKET, CONNECTOR (SMT) 12P		IC102	8-752-037-90	IC CXA1331M	
CN401	* 1-568-834-11	SOCKET, CONNECTOR 15P		IC103	8-752-056-00	IC CXA1398M	
CN402	* 1-573-187-11	PIN, CONNECTOR (PC BOARD) 7P		IC104	8-759-636-55	IC M5218AFP	
CN403	* 1-573-388-11	PIN, CONNECTOR (PC BOARD) 8P		IC105	8-759-516-47	IC CD4066BCM-FL63	
CN601	1-573-101-11	SOCKET, CONNECTOR 9P		IC106	8-759-998-71	IC BA3308F	
CN602	1-580-783-11	CONNECTOR, BOARD TO BOARD		IC351	8-759-323-35	IC HD-614023-FA93	
CN603	1-573-101-11	SOCKET, CONNECTOR 9P		IC401	8-759-636-55	IC M5218AFP	
CN604	1-580-783-11	CONNECTOR, BOARD TO BOARD		IC402	8-759-636-55	IC M5218AFP	
CN605	* 1-568-858-11	SOCKET, CONNECTOR 15P		IC403	8-759-009-05	IC MC14051BF	
CN606	1-568-795-11	SOCKET, CONNECTOR 12P		IC404	8-759-009-05	IC MC14051BF	
CN607	1-580-783-11	CONNECTOR, BOARD TO BOARD		IC405	8-759-516-47	IC CD4066BCM-FL63	
CNJ401	* 1-580-740-11	SOCKET, CONNECTOR 17P (SYSTEM CONTROL 2)		IC406	8-759-636-35	IC M50760-315FP	
		< DIODE >		IC407	8-759-991-77	IC BA7625	
D301	8-719-312-30	DIODE SEL4226R-CD		IC501	8-759-823-46	IC LA5603	
D302	8-719-312-30	DIODE SEL4226R-CD		IC601	8-759-636-37	IC M50944-121FP	
D401	8-719-990-36	DIODE DCA010		IC602	8-759-636-67	IC M50925-482FP	
D403	8-719-210-33	DIODE EC10DS2		IC603	8-759-207-05	IC TA7272P	
D404	8-719-210-33	DIODE EC10DS2		IC604	8-759-636-55	IC M5218AFP-T1	
D405	8-719-990-36	DIODE DCA010		IC605	8-759-516-41	IC CD4052BCM-FL63	
D501	8-719-210-33	DIODE EC10DS2		IC6001	8-759-634-43	IC M51953BFP-T1	
D502	8-719-210-33	DIODE EC10DS2				< IC LINK >	
D503	8-719-210-33	DIODE EC10DS2		ICP501	1-532-843-21	LINK, IC	
D504	8-719-210-33	DIODE EC10DS2		ICP502	1-532-843-21	LINK, IC	
D505	8-719-988-62	DIODE 1SS355T				< JACK >	
D506	8-719-106-36	DIODE RD8.2M-B3		J401	1-565-304-11	JACK, PIN 4P (AUDIO)	
D507	8-719-106-36	DIODE RD8.2M-B3		J402	* 1-569-812-11	JACK, PIN 6P (AUDIO)	
D508	8-719-210-33	DIODE EC10DS2		J404	1-573-144-11	JACK, PIN 2P (VIDEO)	
D509	8-719-210-33	DIODE EC10DS2		J405	1-565-933-11	JACK, PIN 3P (VIDEO)	
D510	8-719-210-33	DIODE EC10DS2				< JUMPER >	
D511	8-719-210-33	DIODE EC10DS2		JW2	1-216-295-00	METAL CHIP 0 5% 1/10W	
D601	8-719-977-24	DIODE DTZ9.1B		JW3	1-216-295-00	METAL CHIP 0 5% 1/10W	
D602	8-719-988-62	DIODE 1SS355					
D603	8-719-988-62	DIODE 1SS355					

MAIN

PANEL

PIN JACK

POWER

Ref. No.	Part No.	Description	Remarks	Ref. No.	Part No.	Description	Remarks
JW8	1-216-295-00	METAL CHIP	0 5% 1/10W	R103	1-216-057-00	METAL CHIP	2.2K 5% 1/10W
JW10	1-216-295-00	METAL CHIP	0 5% 1/10W	R104	1-216-057-00	METAL CHIP	2.2K 5% 1/10W
JW12	1-216-295-00	METAL CHIP	0 5% 1/10W	R105	1-216-105-00	METAL CHIP	220K 5% 1/10W
		< COIL >		R106	1-216-065-00	METAL CHIP	4.7K 5% 1/10W
L401	1-408-789-21	INDUCTOR CHIP	100uH	R107	1-216-082-00	METAL GLAZE	24K 5% 1/10W
L601	1-410-761-11	INDUCTOR	0.68mH	R108	1-216-043-00	METAL CHIP	560 5% 1/10W
L602	1-410-757-21	INDUCTOR	0.33mH	R109	1-216-073-00	METAL CHIP	10K 5% 1/10W
L4001	1-408-777-00	INDUCTOR CHIP	10uH	R110	1-216-057-00	METAL CHIP	2.2K 5% 1/10W
L6001	1-410-482-31	INDUCTOR	100uH	R111	1-216-097-00	METAL CHIP	100K 5% 1/10W
L6002	1-408-777-00	INDUCTOR CHIP	10uH	R112	1-216-065-00	METAL CHIP	4.7K 5% 1/10W
		< TRANSISTOR >		R113	1-216-089-00	METAL CHIP	47K 5% 1/10W
Q101	8-729-805-41	TRANSISTOR	2SC3398	R114	1-216-068-00	METAL CHIP	6.2K 5% 1/10W
Q102	8-729-805-42	TRANSISTOR	2SC3859	R115	1-216-081-00	METAL CHIP	22K 5% 1/10W
Q201	8-729-805-41	TRANSISTOR	2SC3398	R116	1-216-085-00	METAL CHIP	33K 5% 1/10W
Q202	8-729-805-42	TRANSISTOR	2SC3859	R117	1-216-049-00	METAL CHIP	1K 5% 1/10W
Q401	8-729-805-65	TRANSISTOR	2SA1344	R118	1-216-105-00	METAL CHIP	220K 5% 1/10W
Q402	8-729-805-65	TRANSISTOR	2SA1344	R119	1-216-065-00	METAL CHIP	4.7K 5% 1/10W
Q403	8-729-602-36	TRANSISTOR	2SA1602	R120	1-216-093-00	METAL CHIP	68K 5% 1/10W
Q404	8-729-602-36	TRANSISTOR	2SA1602	R121	1-216-295-00	METAL CHIP	0 5% 1/10W
Q405	8-729-602-36	TRANSISTOR	2SA1602	R201	1-216-089-00	METAL CHIP	47K 5% 1/10W
Q406	8-729-602-36	TRANSISTOR	2SA1602	R202	1-216-089-00	METAL CHIP	47K 5% 1/10W
Q407	8-729-602-21	TRANSISTOR	2SC4154	R203	1-216-057-00	METAL CHIP	2.2K 5% 1/10W
Q501	8-729-209-15	TRANSISTOR	2SD2012	R204	1-216-057-00	METAL CHIP	2.2K 5% 1/10W
Q502	8-729-111-67	TRANSISTOR	2SB1094	R205	1-216-105-00	METAL CHIP	220K 5% 1/10W
Q503	8-729-805-65	TRANSISTOR	2SA1344	R206	1-216-065-00	METAL CHIP	4.7K 5% 1/10W
Q504	8-729-602-21	TRANSISTOR	2SC4154	R207	1-216-082-00	METAL GLAZE	24K 5% 1/10W
Q505	8-729-602-21	TRANSISTOR	2SC4154	R208	1-216-043-00	METAL CHIP	560 5% 1/10W
Q506	8-729-602-36	TRANSISTOR	2SA1602	R209	1-216-073-00	METAL CHIP	10K 5% 1/10W
Q601	8-729-805-65	TRANSISTOR	2SA1344	R210	1-216-057-00	METAL CHIP	2.2K 5% 1/10W
Q602	8-729-805-65	TRANSISTOR	2SA1344	R211	1-216-097-00	METAL CHIP	100K 5% 1/10W
Q603	8-729-805-41	TRANSISTOR	2SC3398	R212	1-216-065-00	METAL CHIP	4.7K 5% 1/10W
Q604	8-729-805-65	TRANSISTOR	2SA1344	R213	1-216-089-00	METAL CHIP	47K 5% 1/10W
Q605	8-729-805-69	TRANSISTOR	2SA1341	R214	1-216-068-00	METAL CHIP	6.2K 5% 1/10W
Q606	8-729-805-45	TRANSISTOR	2SC3395	R215	1-216-081-00	METAL CHIP	22K 5% 1/10W
Q607	8-729-805-65	TRANSISTOR	2SA1344	R216	1-216-085-00	METAL CHIP	33K 5% 1/10W
Q608	8-729-805-65	TRANSISTOR	2SA1344	R217	1-216-049-00	METAL CHIP	1K 5% 1/10W
Q609	8-729-805-41	TRANSISTOR	2SC3398	R218	1-216-105-00	METAL CHIP	220K 5% 1/10W
Q611	8-729-805-65	TRANSISTOR	2SA1344	R219	1-216-065-00	METAL CHIP	4.7K 5% 1/10W
Q612	8-729-805-41	TRANSISTOR	2SC3398	R220	1-216-093-00	METAL CHIP	68K 5% 1/10W
Q613	8-729-805-41	TRANSISTOR	2SC3398	R221	1-216-295-00	METAL CHIP	0 5% 1/10W
Q616	8-729-804-41	TRANSISTOR	2SB1122-S	R351	1-216-029-00	METAL CHIP	150 5% 1/10W
Q617	8-729-804-41	TRANSISTOR	2SB1122-S	R352	1-216-033-00	METAL CHIP	220 5% 1/10W
Q619	8-729-808-01	TRANSISTOR	2SD1622-S	R353	1-216-037-00	METAL CHIP	330 5% 1/10W
Q620	8-729-808-01	TRANSISTOR	2SD1622-S	R354	1-216-041-00	METAL CHIP	470 5% 1/10W
Q6005	8-729-805-41	TRANSISTOR	2SC3398	R355	1-216-045-00	METAL CHIP	680 5% 1/10W
		< RESISTOR >		R356	1-216-049-00	METAL CHIP	1K 5% 1/10W
R101	1-216-089-00	METAL CHIP	47K 5% 1/10W	R357	1-216-067-00	METAL CHIP	5.6K 5% 1/10W
R102	1-216-089-00	METAL CHIP	47K 5% 1/10W	R359	1-216-045-00	METAL CHIP	680 5% 1/10W
				R362	1-216-041-00	METAL CHIP	470 5% 1/10W
				R363	1-216-045-00	METAL CHIP	680 5% 1/10W

MAIN

PANEL

PIN JACK

POWER

Ref. No.	Part No.	Description	Remarks	Ref. No.	Part No.	Description	Remarks
R364	1-216-049-00	METAL CHIP	1K 5% 1/10W	R442	1-216-089-00	METAL CHIP	47K 5% 1/10W
R365	1-216-055-00	METAL CHIP	1.8K 5% 1/10W	R450	1-216-065-00	METAL CHIP	4.7K 5% 1/10W
R366	1-216-063-00	METAL CHIP	3.9K 5% 1/10W	R451	1-216-049-00	METAL CHIP	1K 5% 1/10W
R367	1-216-089-00	METAL CHIP	47K 5% 1/10W	R452	1-216-049-00	METAL CHIP	1K 5% 1/10W
R368	1-216-089-00	METAL CHIP	47K 5% 1/10W	R453	1-216-049-00	METAL CHIP	1K 5% 1/10W
R369	1-216-089-00	METAL CHIP	47K 5% 1/10W	R454	1-216-041-00	METAL CHIP	470 5% 1/10W
R372	1-216-041-00	METAL CHIP	470 5% 1/10W	R455	1-216-041-00	METAL CHIP	470 5% 1/10W
R374	1-216-041-00	METAL CHIP	470 5% 1/10W	R457	1-216-115-00	METAL CHIP	560K 5% 1/10W
R375	1-216-081-00	METAL CHIP	22K 5% 1/10W	R458	1-216-115-00	METAL CHIP	560K 5% 1/10W
R376	1-216-121-00	METAL CHIP	1M 5% 1/10W	R459	1-216-115-00	METAL CHIP	560K 5% 1/10W
R377	1-216-085-00	METAL CHIP	33K 5% 1/10W	R460	1-216-115-00	METAL CHIP	560K 5% 1/10W
R378	1-216-025-00	METAL CHIP	100 5% 1/10W	R461	1-216-115-00	METAL CHIP	560K 5% 1/10W
R379	1-216-025-00	METAL CHIP	100 5% 1/10W	R463	1-216-295-00	METAL CHIP	0 5% 1/10W
R380	1-216-025-00	METAL CHIP	100 5% 1/10W	R464	1-216-295-00	METAL CHIP	0 5% 1/10W
R381	1-216-025-00	METAL CHIP	100 5% 1/10W	R465	1-216-049-00	METAL CHIP	1K 5% 1/10W
R401	1-216-049-00	METAL CHIP	1K 5% 1/10W	R467	1-216-089-00	METAL CHIP	47K 5% 1/10W
R402	1-216-049-00	METAL CHIP	1K 5% 1/10W	R468	1-216-049-00	METAL CHIP	1K 5% 1/10W
R403	1-216-049-00	METAL CHIP	1K 5% 1/10W	R469	1-216-115-00	METAL CHIP	560K 5% 1/10W
R404	1-216-041-00	METAL CHIP	470 5% 1/10W	R470	1-216-089-00	METAL CHIP	47K 5% 1/10W
R405	1-216-041-00	METAL CHIP	470 5% 1/10W	R471	1-216-001-00	METAL CHIP	10 5% 1/10W
R407	1-216-115-00	METAL CHIP	560K 5% 1/10W	R472	1-216-075-00	METAL CHIP	12K 5% 1/10W
R408	1-216-115-00	METAL CHIP	560K 5% 1/10W	R473	1-216-041-00	METAL CHIP	470 5% 1/10W
R409	1-216-115-00	METAL CHIP	560K 5% 1/10W	R475	1-216-025-00	METAL CHIP	100 5% 1/10W
R410	1-216-115-00	METAL CHIP	560K 5% 1/10W	R476	1-216-089-00	METAL CHIP	47K 5% 1/10W
R411	1-216-115-00	METAL CHIP	560K 5% 1/10W	R477	1-216-089-00	METAL CHIP	47K 5% 1/10W
R413	1-216-295-00	METAL CHIP	0 5% 1/10W	R478	1-216-089-00	METAL CHIP	47K 5% 1/10W
R414	1-216-295-00	METAL CHIP	0 5% 1/10W	R481	1-216-022-00	METAL CHIP	75 5% 1/10W
R415	1-216-049-00	METAL CHIP	1K 5% 1/10W	R482	1-216-022-00	METAL CHIP	75 5% 1/10W
R417	1-216-089-00	METAL CHIP	47K 5% 1/10W	R483	1-216-022-00	METAL CHIP	75 5% 1/10W
R418	1-216-049-00	METAL CHIP	1K 5% 1/10W	R484	1-216-049-00	METAL CHIP	1K 5% 1/10W
R419	1-216-115-00	METAL CHIP	560K 5% 1/10W	R485	1-216-049-00	METAL CHIP	1K 5% 1/10W
R420	1-216-089-00	METAL CHIP	47K 5% 1/10W	R486	1-216-049-00	METAL CHIP	1K 5% 1/10W
R421	1-216-001-00	METAL CHIP	10 5% 1/10W	R487	1-216-029-00	METAL CHIP	150 5% 1/10W
R422	1-216-075-00	METAL CHIP	12K 5% 1/10W	R488	1-216-029-00	METAL CHIP	150 5% 1/10W
R423	1-216-041-00	METAL CHIP	470 5% 1/10W	R489	1-216-031-00	METAL CHIP	180 5% 1/10W
R425	1-216-025-00	METAL CHIP	100 5% 1/10W	R490	1-216-031-00	METAL CHIP	180 5% 1/10W
R426	1-216-089-00	METAL CHIP	47K 5% 1/10W	R491	1-216-031-00	METAL CHIP	180 5% 1/10W
R427	1-216-089-00	METAL CHIP	47K 5% 1/10W	R492	1-216-029-00	METAL CHIP	150 5% 1/10W
R428	1-216-089-00	METAL CHIP	47K 5% 1/10W	R493	1-216-073-00	METAL CHIP	10K 5% 1/10W
R429	1-216-089-00	METAL CHIP	47K 5% 1/10W	R494	1-216-073-00	METAL CHIP	10K 5% 1/10W
R430	1-216-089-00	METAL CHIP	47K 5% 1/10W	R495	1-216-081-00	METAL CHIP	22K 5% 1/10W
R431	1-216-022-00	METAL CHIP	75 5% 1/10W	R496	1-216-081-00	METAL CHIP	22K 5% 1/10W
R432	1-216-022-00	METAL CHIP	75 5% 1/10W	R497	1-216-073-00	METAL CHIP	10K 5% 1/10W
R434	1-216-073-00	METAL CHIP	10K 5% 1/10W	R499	1-216-073-00	METAL CHIP	10K 5% 1/10W
R435	1-216-073-00	METAL CHIP	10K 5% 1/10W	R500	1-216-065-00	METAL CHIP	4.7K 5% 1/10W
R436	1-216-089-00	METAL CHIP	47K 5% 1/10W	R501	1-216-033-00	METAL CHIP	220 5% 1/10W
R437	1-216-121-00	METAL CHIP	1M 5% 1/10W	R502	1-216-041-00	METAL CHIP	470 5% 1/10W
R439	1-216-295-00	METAL CHIP	0 5% 1/10W	R503	1-216-041-00	METAL CHIP	470 5% 1/10W
R440	1-216-089-00	METAL CHIP	47K 5% 1/10W	R504	1-216-089-00	METAL CHIP	47K 5% 1/10W
R441	1-216-295-00	METAL CHIP	0 5% 1/10W	R505	1-216-089-00	METAL CHIP	47K 5% 1/10W

MAIN

PANEL

PIN JACK

POWER

Ref. No.	Part No.	Description	Remarks			Ref. No.	Part No.	Description	Remarks		
R601	1-216-081-00	METAL CHIP	22K	5%	1/10W	R656	1-216-073-00	METAL CHIP	10K	5%	1/10W
R602	1-216-081-00	METAL CHIP	22K	5%	1/10W	R661	1-216-083-00	METAL CHIP	27K	5%	1/10W
R603	1-216-057-00	METAL CHIP	2.2K	5%	1/10W	R662	1-216-083-00	METAL CHIP	27K	5%	1/10W
R605	1-216-081-00	METAL CHIP	22K	5%	1/10W	R663	1-216-073-00	METAL CHIP	10K	5%	1/10W
R606	1-216-081-00	METAL CHIP	22K	5%	1/10W	R664	1-216-045-00	METAL CHIP	680	5%	1/10W
R607	1-216-081-00	METAL CHIP	22K	5%	1/10W	R665	1-216-073-00	METAL CHIP	10K	5%	1/10W
R608	1-216-049-00	METAL CHIP	1K	5%	1/10W	R666	1-216-045-00	METAL CHIP	680	5%	1/10W
R609	1-216-083-00	METAL CHIP	27K	5%	1/10W	R667	1-216-025-00	METAL CHIP	100	5%	1/10W
R610	1-216-082-00	METAL GLAZE	24K	5%	1/10W	R668	1-216-090-00	METAL CHIP	51K	5%	1/10W
R611	1-216-081-00	METAL CHIP	22K	5%	1/10W	R669	1-216-089-00	METAL CHIP	47K	5%	1/10W
R612	1-216-081-00	METAL CHIP	22K	5%	1/10W	R670	1-216-084-00	METAL GLAZE	30K	5%	1/10W
R613	1-216-121-00	METAL CHIP	1M	5%	1/10W	R671	1-216-090-00	METAL CHIP	51K	5%	1/10W
R614	1-216-121-00	METAL CHIP	1M	5%	1/10W	R672	1-216-065-00	METAL CHIP	4.7K	5%	1/10W
R615	1-216-057-00	METAL CHIP	2.2K	5%	1/10W	R673	1-216-080-00	METAL CHIP	20K	5%	1/10W
R616	1-216-097-00	METAL CHIP	100K	5%	1/10W	R674	1-216-083-00	METAL CHIP	27K	5%	1/10W
R617	1-216-097-00	METAL CHIP	100K	5%	1/10W	R675	1-216-080-00	METAL CHIP	20K	5%	1/10W
R618	1-216-097-00	METAL CHIP	100K	5%	1/10W	R676	1-216-065-00	METAL CHIP	4.7K	5%	1/10W
R619	1-216-065-00	METAL CHIP	4.7K	5%	1/10W	R677	1-216-089-00	METAL CHIP	47K	5%	1/10W
R620	1-216-097-00	METAL CHIP	100K	5%	1/10W	R678	1-216-084-00	METAL GLAZE	30K	5%	1/10W
R621	1-216-065-00	METAL CHIP	4.7K	5%	1/10W	R679	1-216-083-00	METAL CHIP	27K	5%	1/10W
R623	1-216-113-00	METAL CHIP	470K	5%	1/10W	R680	1-216-090-00	METAL CHIP	51K	5%	1/10W
R624	1-216-295-00	METAL CHIP	0	5%	1/10W	R681	1-216-090-00	METAL CHIP	51K	5%	1/10W
R625	1-216-295-00	METAL CHIP	0	5%	1/10W	R682	1-216-025-00	METAL CHIP	100	5%	1/10W
R626	1-216-295-00	METAL CHIP	0	5%	1/10W	R686	1-216-077-00	METAL CHIP	15K	5%	1/10W
R628	1-216-073-00	METAL CHIP	10K	5%	1/10W	R687	1-216-077-00	METAL CHIP	15K	5%	1/10W
R629	1-216-057-00	METAL CHIP	2.2K	5%	1/10W	R690	1-216-025-00	METAL CHIP	100	5%	1/10W
R630	1-216-081-00	METAL CHIP	22K	5%	1/10W	R691	1-216-065-00	METAL CHIP	4.7K	5%	1/10W
R631	1-216-081-00	METAL CHIP	22K	5%	1/10W	R692	1-216-081-00	METAL CHIP	22K	5%	1/10W
R634	1-216-081-00	METAL CHIP	22K	5%	1/10W	R693	1-216-025-00	METAL CHIP	100	5%	1/10W
R635	1-216-081-00	METAL CHIP	22K	5%	1/10W	R695	1-216-070-00	METAL CHIP	7.5K	5%	1/10W
R636	1-216-081-00	METAL CHIP	22K	5%	1/10W	R696	1-216-081-00	METAL CHIP	22K	5%	1/10W
R637	1-216-081-00	METAL CHIP	22K	5%	1/10W	R697	1-216-077-00	METAL CHIP	15K	5%	1/10W
R638	1-216-081-00	METAL CHIP	22K	5%	1/10W	R698	1-216-084-00	METAL GLAZE	30K	5%	1/10W
R639	1-216-057-00	METAL CHIP	2.2K	5%	1/10W	R699	1-216-081-00	METAL CHIP	22K	5%	1/10W
R640	1-216-057-00	METAL CHIP	2.2K	5%	1/10W	R700	1-216-073-00	METAL CHIP	10K	5%	1/10W
R641	1-216-065-00	METAL CHIP	4.7K	5%	1/10W	R5001	1-216-025-00	METAL CHIP	100	5%	1/10W
R642	1-216-089-00	METAL CHIP	47K	5%	1/10W	R5002	1-216-025-00	METAL CHIP	100	5%	1/10W
R643	1-216-089-00	METAL CHIP	47K	5%	1/10W	R6001	1-216-073-00	METAL CHIP	10K	5%	1/10W
R644	1-216-025-00	METAL CHIP	100	5%	1/10W	R6004	1-216-089-00	METAL CHIP	47K	5%	1/10W
R645	1-216-089-00	METAL CHIP	47K	5%	1/10W	R6005	1-216-089-00	METAL CHIP	47K	5%	1/10W
R646	1-216-081-00	METAL CHIP	22K	5%	1/10W	R6010	1-216-049-00	METAL CHIP	1K	5%	1/10W
R647	1-216-025-00	METAL CHIP	100	5%	1/10W	R6011	1-216-298-00	METAL CHIP	2.2	5%	1/10W
R648	1-216-025-00	METAL CHIP	100	5%	1/10W	R6012	1-216-298-00	METAL CHIP	2.2	5%	1/10W
R649	1-216-025-00	METAL CHIP	100	5%	1/10W	R6013	1-216-298-00	METAL CHIP	2.2	5%	1/10W
R650	1-216-121-00	METAL CHIP	1M	5%	1/10W	R6014	1-216-298-00	METAL CHIP	2.2	5%	1/10W
R651	1-216-081-00	METAL CHIP	22K	5%	1/10W	R6015	1-216-298-00	METAL CHIP	2.2	5%	1/10W
R652	1-216-081-00	METAL CHIP	22K	5%	1/10W	R6016	1-216-298-00	METAL CHIP	2.2	5%	1/10W
R653	1-216-073-00	METAL CHIP	10K	5%	1/10W	R6017	1-216-298-00	METAL CHIP	2.2	5%	1/10W
R654	1-216-073-00	METAL CHIP	10K	5%	1/10W	R6018	1-216-298-00	METAL CHIP	2.2	5%	1/10W
R655	1-216-121-00	METAL CHIP	1M	5%	1/10W						

MAIN **PANEL** **PIN JACK** **POWER** **LEAF SW(A)** **MD-A**

Ref. No.	Part No.	Description	Remarks
		< VARIABLE RESISTOR >	
RV101	1-238-547-11	RES, ADJ, CARBON 10K	
RV201	1-238-547-11	RES, ADJ, CARBON 10K	
		< SWITCH >	
S901	1-554-303-21	SWITCH, TACTILE (CD SYNCHRO)	
S902	1-554-303-21	SWITCH, TACTILE (◀)	
S903	1-554-303-21	SWITCH, TACTILE (▶)	
S904	1-554-303-21	SWITCH, TACTILE (• REC)	
S905	1-554-303-21	SWITCH, TACTILE (DECK A)	
S906	1-554-303-21	SWITCH, TACTILE (DECK B)	
S907	1-554-303-21	SWITCH, TACTILE (COUNTER RESET)	
S908	1-554-303-21	SWITCH, TACTILE (DOLBY NR)	
S909	1-554-303-21	SWITCH, TACTILE (DUBBING MODE)	
S910	1-554-303-21	SWITCH, TACTILE (■)	
S911	1-554-303-21	SWITCH, TACTILE (◁)	
S912	1-554-303-21	SWITCH, TACTILE (▷)	
S913	1-554-303-21	SWITCH, TACTILE (■ PAUSE)	
S914	1-554-303-21	SWITCH, TACTILE (○ MUTE)	
S915	1-554-303-21	SWITCH, TACTILE (DIRECTION MODE)	
		< TRANSFORMER >	
T601	1-450-458-11	TRANSFORMER, DC-DC CONVERTER	
		< TEST PIN >	
TP601	* 1-564-718-11	PIN, CONNECTOR (SMALL TYPE) 2P	
TP6001	* 1-564-517-11	PLUG, CONNECTOR 2P	
		< CRYSTAL >	
X401	1-577-077-11	OSCILLATOR, CERAMIC 400kHz	
X601	1-577-358-21	VIBRATOR, CERAMIC 4MHz	
X951	1-577-101-11	VIBRATOR, CERAMIC 4.19MHz	

	* 1-634-841-11	LEAF SW(A) BOARD	*****
	3-343-419-01	HOLDER (S SENSER A)	
		< CONNECTOR >	
CNP81	* 1-568-852-11	SOCKET, CONNECTOR 9P	
		< IC >	
IC81A	8-719-710-03	IC PHOTO REFLECTOR NJL5165K-B	
		< RESISTOR >	
R84	1-249-417-11	CARBON 1K 5% 1/4W	
R85	1-249-408-11	CARBON 180 5% 1/4W	

Ref. No.	Part No.	Description	Remarks
		< SWITCH >	
S81	1-571-958-11	SWITCH, PUSH (1 KEY) (A. STOP DET)	
S82	1-571-281-21	SWITCH, LEAF (A. CrO2 DET)	
S86	1-571-281-21	SWITCH, LEAF (A. HALF DET)	

	* A-2006-399-A	MD-A BOARD	*****
		< CAPACITOR >	
C11	1-163-131-00	CERAMIC CHIP 390PF 5% 50V	
C12	1-136-157-00	FILM 0.022uF 5% 50V	
C13	1-124-234-00	ELECT 22uF 20% 16V	
C18	1-163-117-00	CERAMIC CHIP 100PF 5% 50V	
C21	1-163-131-00	CERAMIC CHIP 390PF 5% 50V	
C22	1-136-157-00	FILM 0.022uF 5% 50V	
C23	1-124-234-00	ELECT 22uF 20% 16V	
C28	1-163-117-00	CERAMIC CHIP 100PF 5% 50V	
C31	1-124-234-00	ELECT 22uF 20% 16V	
C32	1-124-234-00	ELECT 22uF 20% 16V	
C71	1-164-346-11	CERAMIC CHIP 1uF 16V	
		< CONNECTOR >	
CNJ31	* 1-580-782-11	CONNECTOR, BOARD TO BOARD	
CNP32	* 1-580-772-11	PIN, CONNECTOR (PC BOARD) 4P	
CNP71	* 1-564-719-11	PIN, CONNECTOR (SMALL TYPE) 3P	
CNP72	* 1-580-411-11	SOCKET, CONNECTOR 4P	
		< IC >	
IC31A	8-759-970-66	IC LM833M	
		< JUMPER >	
JW1	1-216-295-00	METAL CHIP 0 5% 1/10W	
JW51	1-216-296-00	METAL CHIP 0 5% 1/8W	
JW52	1-216-296-00	METAL CHIP 0 5% 1/8W	
JW53	1-216-296-00	METAL CHIP 0 5% 1/8W	
JW54	1-216-296-00	METAL CHIP 0 5% 1/8W	
		< TRANSISTOR >	
Q71A	8-729-602-36	TRANSISTOR 2SA1602	
		< RESISTOR >	
R11	1-216-099-00	METAL CHIP 120K 5% 1/10W	
R12	1-216-025-00	METAL CHIP 100 5% 1/10W	
R13	1-216-100-00	METAL GLAZE 130K 5% 1/10W	
R14	1-216-067-00	METAL CHIP 5.6K 5% 1/10W	
R21	1-216-099-00	METAL CHIP 120K 5% 1/10W	

MD-A

LEAF SW(B)

MD-B HX PRO

Ref. No.	Part No.	Description	Remarks
R22	1-216-025-00	METAL CHIP 100 5% 1/10W	
R23	1-216-100-00	METAL GLAZE 130K 5% 1/10W	
R24	1-216-067-00	METAL CHIP 5.6K 5% 1/10W	
R31	1-216-033-00	METAL CHIP 220 5% 1/10W	
R32	1-216-033-00	METAL CHIP 220 5% 1/10W	
R71	1-216-082-00	METAL GLAZE 24K 5% 1/10W	
R72	1-216-081-00	METAL CHIP 22K 5% 1/10W	
R73	1-216-089-00	METAL CHIP 47K 5% 1/10W	
R74	1-216-089-00	METAL CHIP 47K 5% 1/10W	
		< VARIABLE RESISTOR >	
RV11A	1-238-012-11	RES, ADJ, CARBON 1K	
RV21A	1-238-012-11	RES, ADJ, CARBON 1K	
RV71A	1-238-016-11	RES, ADJ, CARBON 10K	
RV72A	1-238-016-11	RES, ADJ, CARBON 10K	

	* 1-634-841-11	LEAF SW(B) BOARD *****	
	3-343-419-01	HOLDER (S SENSER A) < CONNECTOR >	
CNP81	* 1-568-852-11	SOCKET, CONNECTOR 9P < IC >	
IC81B	8-719-710-03	IC PHOTO REFLECTOR NJL5165K-B < RESISTOR >	
R81	1-249-414-11	CARBON 560 5% 1/4W	
R82	1-247-818-11	CARBON 300 5% 1/4W	
R83	1-247-834-11	CARBON 1.3K 5% 1/4W	
R84	1-249-417-11	CARBON 1K 5% 1/4W	
R85	1-249-408-11	CARBON 180 5% 1/4W < SWITCH >	
S81	1-571-958-11	SWITCH, PUSH (1 KEY) (B. STOP DET)	
S82	1-571-281-21	SWITCH, LEAF (B. CrO2 DET)	
S83	1-571-281-21	SWITCH, LEAF (B. METAL DET)	
S84	1-571-281-21	SWITCH, LEAF (B. ERASE PROOF SIDE A)	
S85	1-571-281-21	SWITCH, LEAF (B. ERASE PROOF SIDE B)	
S86	1-571-281-21	SWITCH, LEAF (B. HALF DET)	

Ref. No.	Part No.	Description	Remarks
	* A-2006-401-A	MD-B HX PRO BOARD ***** < CAPACITOR >	
C11	1-163-131-00	CERAMIC CHIP 390PF 5% 50V	
C12	1-136-157-00	FILM 0.022uF 5% 50V	
C13	1-124-234-00	ELECT 22uF 20% 16V	
C18	1-163-117-00	CERAMIC CHIP 100PF 5% 50V	
C21	1-163-131-00	CERAMIC CHIP 390PF 5% 50V	
C22	1-136-157-00	FILM 0.022uF 5% 50V	
C23	1-124-234-00	ELECT 22uF 20% 16V	
C28	1-163-117-00	CERAMIC CHIP 100PF 5% 50V	
C31	1-124-234-00	ELECT 22uF 20% 16V	
C32	1-124-234-00	ELECT 22uF 20% 16V	
C33	1-124-234-00	ELECT 22uF 20% 16V	
C51	1-164-161-11	CERAMIC CHIP 0.0022uF 10% 100V	
C52	1-164-161-11	CERAMIC CHIP 0.0022uF 10% 100V	
C53	1-163-019-00	CERAMIC CHIP 0.0068uF 10% 50V	
C54	1-136-601-11	FILM 0.01uF 5% 630V	
C56	1-164-505-11	CERAMIC CHIP 2.2uF 16V	
C57	1-164-346-11	CERAMIC CHIP 1uF 16V	
C71	1-164-346-11	CERAMIC CHIP 1uF 16V	
C80	1-124-234-00	ELECT 22uF 20% 16V	
C81	1-164-232-11	CERAMIC CHIP 0.01uF 50V	
C82	1-136-157-00	FILM 0.022uF 5% 50V	
C83	1-164-004-11	CERAMIC CHIP 0.1uF 10% 25V	
C84	1-136-437-11	FILM 220PF 5% 630V	
C85	1-136-433-11	FILM 100PF 5% 630V	
C86	1-163-143-00	CERAMIC CHIP 0.0012uF 5% 50V	
C87	1-136-273-91	FILM 75PF 5% 630V	
C88	1-163-003-11	CERAMIC CHIP 330PF 10% 50V	
C89	1-124-234-00	ELECT 22uF 20% 16V	
C90	1-107-045-00	MICA 3.9PF 500V	
C91	1-164-232-11	CERAMIC CHIP 0.01uF 50V	
C92	1-136-157-00	FILM 0.022uF 5% 50V	
C93	1-164-004-11	CERAMIC CHIP 0.1uF 10% 25V	
C94	1-136-437-11	FILM 220PF 5% 630V	
C95	1-136-433-11	FILM 100PF 5% 630V	
C96	1-163-143-00	CERAMIC CHIP 0.0012uF 5% 50V	
C97	1-136-273-91	FILM 75PF 5% 630V	
C98	1-163-003-11	CERAMIC CHIP 330PF 10% 50V	
C99	1-164-005-11	CERAMIC CHIP 0.47uF 25V < CONNECTOR >	
CNP31	* 1-580-782-11	CONNECTOR, BOARD TO BOARD	
CNP32	* 1-580-781-11	PIN, CONNECTOR (PC BOARD) 7P	
CNP33	* 1-580-782-11	CONNECTOR, BOARD TO BOARD	
CNP71	* 1-564-719-11	PIN, CONNECTOR (SMALL TYPE) 3P	
CNP72	* 1-580-411-11	SOCKET, CONNECTOR 4P	

MD-B HX PRO

Ref. No.	Part No.	Description	Remarks
		(DIODE)	
D31	8-719-988-62	DIODE 1SS355	
		(IC)	
IC31B	8-759-970-66	IC LM833M	
IC81	8-759-106-56	IC μ PC1297CA	
		(COIL)	
L81	1-410-780-11	INDUCTOR 27mH	
L91	1-410-780-11	INDUCTOR 27mH	
		(TRANSISTOR)	
O51	8-729-808-01	TRANSISTOR 2SD1622	
O52	8-729-808-01	TRANSISTOR 2SD1622	
O53	8-729-808-01	TRANSISTOR 2SD1622	
O71B	8-729-216-22	TRANSISTOR 2SA1162	
		(RESISTOR)	
R11	1-216-099-00	METAL CHIP 120K 5% 1/10W	
R12	1-216-025-00	METAL CHIP 100 5% 1/10W	
R13	1-216-100-00	METAL GLAZE 130K 5% 1/10W	
R14	1-216-067-00	METAL CHIP 5.6K 5% 1/10W	
R21	1-216-099-00	METAL CHIP 120K 5% 1/10W	
R22	1-216-025-00	METAL CHIP 100 5% 1/10W	
R23	1-216-100-00	METAL GLAZE 130K 5% 1/10W	
R24	1-216-067-00	METAL CHIP 5.6K 5% 1/10W	
R31	1-216-033-00	METAL CHIP 220 5% 1/10W	
R32	1-216-033-00	METAL CHIP 220 5% 1/10W	
R51	1-216-097-00	METAL CHIP 100K 5% 1/10W	
R52	1-216-097-00	METAL CHIP 100K 5% 1/10W	
R53	1-216-073-00	METAL CHIP 10K 5% 1/10W	
R54	1-216-309-00	METAL CHIP 5.6 5% 1/10W	
R55	1-216-309-00	METAL CHIP 5.6 5% 1/10W	
R57	1-216-298-00	METAL CHIP 2.2 5% 1/10W	
R71	1-216-082-00	METAL GLAZE 24K 5% 1/10W	
R72	1-216-081-00	METAL CHIP 22K 5% 1/10W	
R73	1-216-089-00	METAL CHIP 47K 5% 1/10W	
R74	1-216-089-00	METAL CHIP 47K 5% 1/10W	
R81	1-216-073-00	METAL CHIP 10K 5% 1/10W	
R82	1-216-085-00	METAL CHIP 33K 5% 1/10W	
R83	1-216-001-00	METAL CHIP 10 5% 1/10W	
R84	1-216-101-00	METAL CHIP 150K 5% 1/10W	
R85	1-216-075-00	METAL CHIP 12K 5% 1/10W	
R91	1-216-073-00	METAL CHIP 10K 5% 1/10W	
R92	1-216-085-00	METAL CHIP 33K 5% 1/10W	
R93	1-216-001-00	METAL CHIP 10 5% 1/10W	
R94	1-216-101-00	METAL CHIP 150K 5% 1/10W	
R95	1-216-075-00	METAL CHIP 12K 5% 1/10W	

Ref. No.	Part No.	Description	Remarks
		(VARIABLE RESISTOR)	
RV11B	1-238-012-11	RES, ADJ, CARBON 1K	
RV21B	1-238-012-11	RES, ADJ, CARBON 1K	
RV71B	1-238-016-11	RES, ADJ, CARBON 10K	
RV72B	1-238-016-11	RES, ADJ, CARBON 10K	
RV81	1-238-548-11	RES, ADJ, CARBON 22K	
RV91	1-238-548-11	RES, ADJ, CARBON 22K	
		(RELAY)	
RY31	1-515-726-11	RELAY	
		(COIL)	
T51	1-406-417-11	COIL, BIAS OSCILLATION	
T81	1-433-367-11	TRANSFORMER, BIAS OSCILLATION	
T91	1-433-367-11	TRANSFORMER, BIAS OSCILLATION	
		(TEST PIN)	
TP81	* 1-568-449-11	HOUSING, CONNECTOR (PC BOARD) 3P	

		MISCELLANEOUS	

117	1-638-983-11	PC BOARD, MOTOR FLEXIBLE	
HP101	A-2003-868-A	BASE ASSY, HEAD (DECK A)	
HRP101	A-2003-838-A	BASE ASSY, HEAD (DECK B)	
M101A	A-2003-474-A	MOTOR (REEL MOTOR) ASSY (DECK A)	
M101B	A-2003-474-A	MOTOR (REEL MOTOR) ASSY (DECK B)	
M102A	X-3359-417-1	MOTOR (CAPSTAN MOTOR) ASSY (DECK A)	
M102B	X-3359-417-1	MOTOR (CAPSTAN MOTOR) ASSY (DECK B)	

HARDWARE LIST			

# 1	7-685-646-79	SCREW +BVPT 3X8 TYPE2 N-S	
# 2	7-621-255-15	SCREW +PTT 2X3 (S)	
# 3	7-685-134-19	SCREW +BTP 2.6X8 TYPE2 N-S	
# 4	7-621-770-67	SCREW +PTT 2.6X6 (S)	
# 5	7-627-556-08	SCREW +P 2.6X2.8	
# 6	7-621-775-00	SCREW +B 2.6X3	
# 7	7-682-548-04	+BVTT 3X8 (S)	

TC-H6600

SONY® SERVICE MANUAL

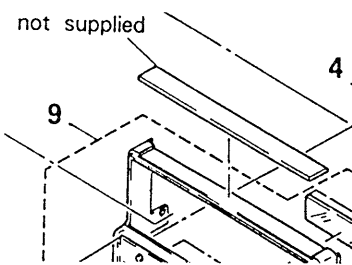
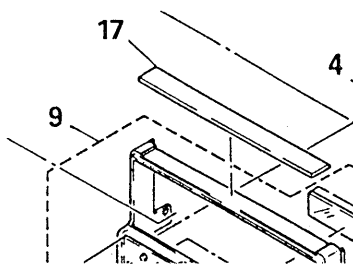
AEP Model
UK Model

SUPPLEMENT-1

File this supplement with the service manual.

Subject : Available Parts

- The following parts are available for service.
Add these parts to the parts list.

		Before Update	After Update								
Page	Ref No.										
37	17										
		<table border="0"> <tr> <td><u>Part No.</u></td> <td><u>Description</u></td> </tr> <tr> <td>_____</td> <td>_____</td> </tr> </table>	<u>Part No.</u>	<u>Description</u>	_____	_____	<table border="0"> <tr> <td><u>Part No.</u></td> <td><u>Description</u></td> </tr> <tr> <td>3-367-893-01</td> <td>PLATE(TOP), ORNAMENTAL</td> </tr> </table>	<u>Part No.</u>	<u>Description</u>	3-367-893-01	PLATE(TOP), ORNAMENTAL
<u>Part No.</u>	<u>Description</u>										
_____	_____										
<u>Part No.</u>	<u>Description</u>										
3-367-893-01	PLATE(TOP), ORNAMENTAL										

TC-H6600

SONY® SERVICE MANUAL

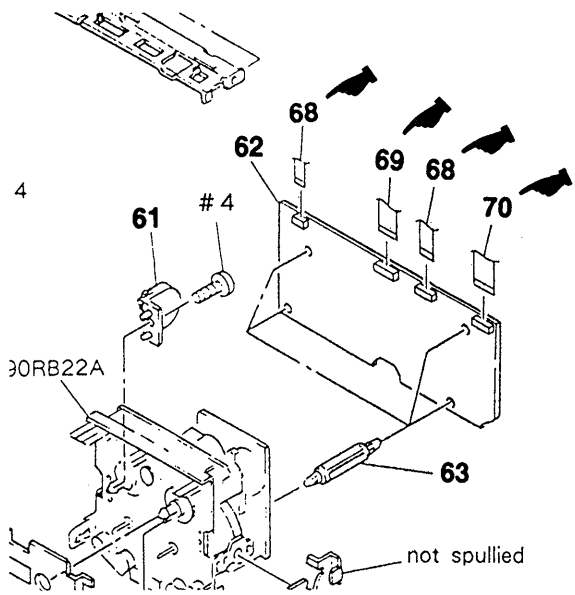
AEP Model
UK Model

CORRECTION-1

Correct your service manual as shown below.

Subject: Addition of new parts Exploded Views "Front panel Section-2."

 :Location of newly added parts.

Page	exploded views	parts list															
		<u>No.</u>	<u>Part No.</u>	<u>Description</u>	<u>Remarks</u>												
38		<table border="1"> <tr> <td data-bbox="863 1161 900 1183">68</td> <td data-bbox="963 1161 1046 1183">1-590-902-11</td> <td data-bbox="1094 1161 1286 1183">9CONDUCTOR FLAT CABLE</td> <td colspan="2"></td> </tr> <tr> <td data-bbox="863 1193 900 1215">69</td> <td data-bbox="963 1193 1046 1215">1-590-904-11</td> <td data-bbox="1094 1193 1294 1215">12CONDUCTOR FLAT CABLE</td> <td colspan="2"></td> </tr> <tr> <td data-bbox="863 1225 900 1247">70</td> <td data-bbox="963 1225 1046 1247">1-590-903-11</td> <td data-bbox="1094 1225 1294 1247">15CONDUCTOR FLAT CABLE</td> <td colspan="2"></td> </tr> </table>	68	1-590-902-11	9CONDUCTOR FLAT CABLE			69	1-590-904-11	12CONDUCTOR FLAT CABLE			70	1-590-903-11	15CONDUCTOR FLAT CABLE		
68	1-590-902-11	9CONDUCTOR FLAT CABLE															
69	1-590-904-11	12CONDUCTOR FLAT CABLE															
70	1-590-903-11	15CONDUCTOR FLAT CABLE															